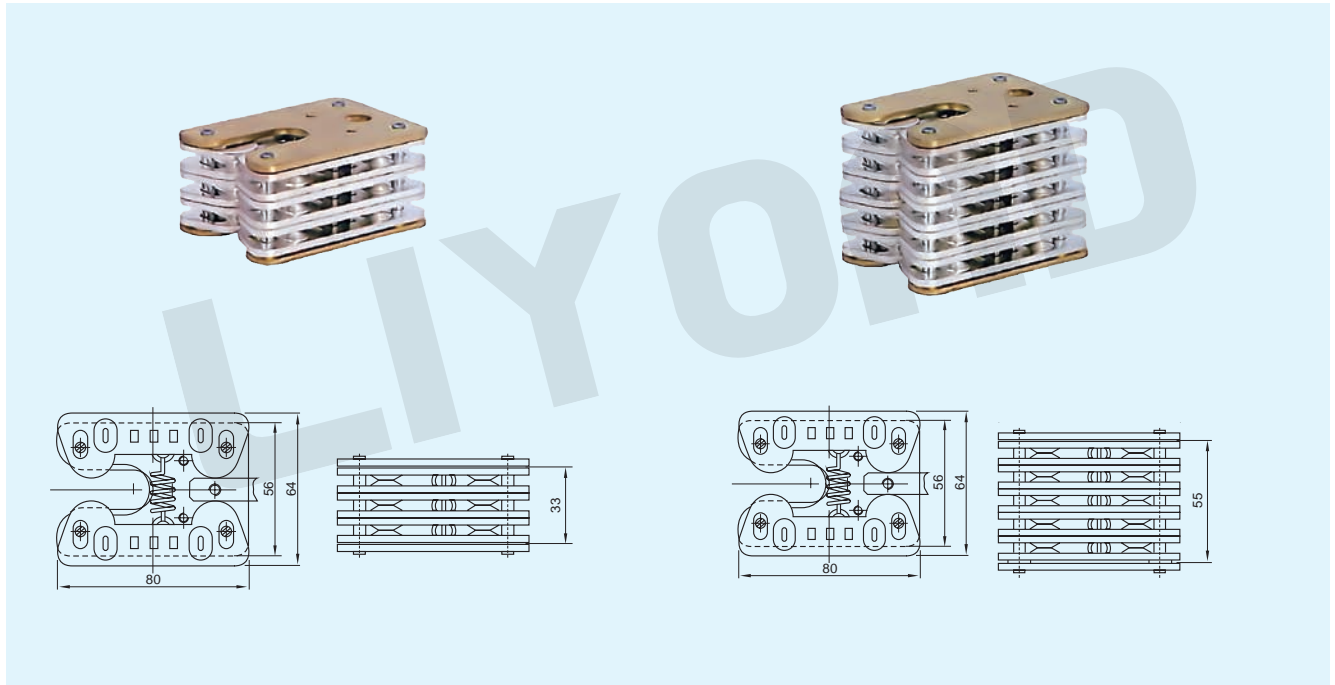




40.5KV EXTENSION SPRING FLAT CONTACT SERIES

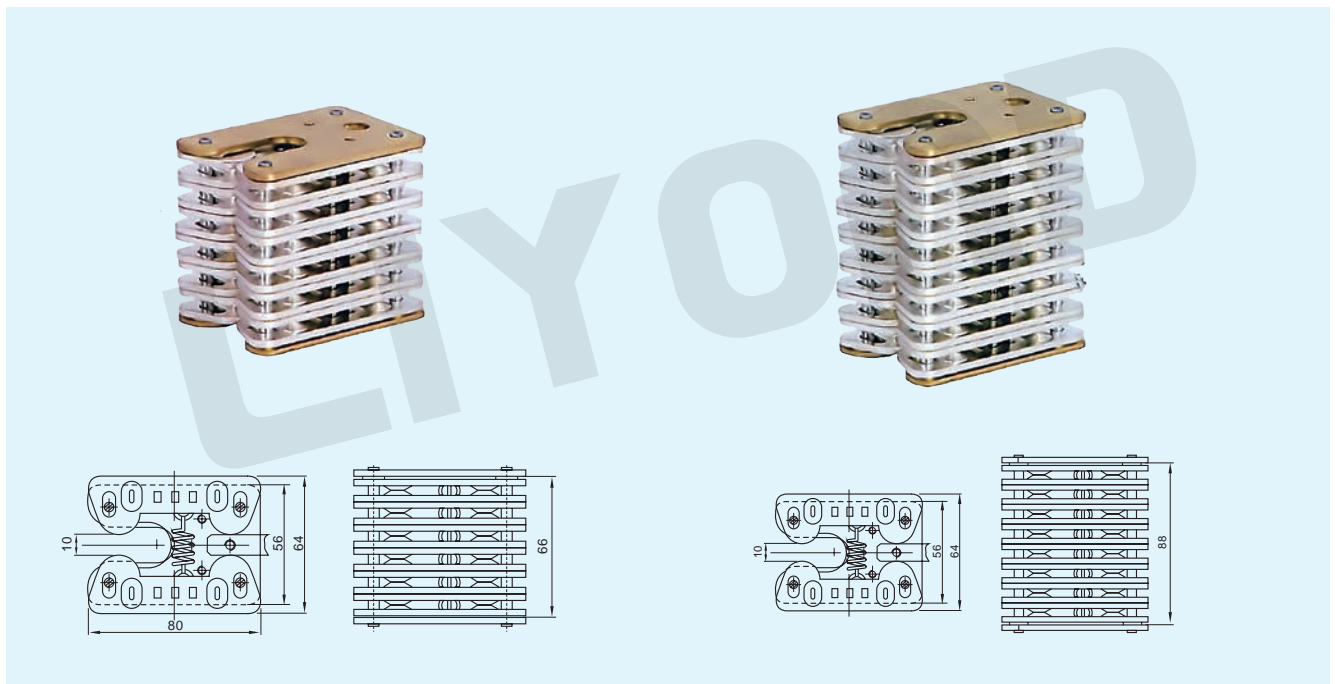
Model No.: LYA301 GC8-630A Flat contact with 12 sheets
Contact plate thickness: 10mm Insertion depth:34±2mm

Model No.: LYA302 GC8-1000A Flat contact with 20 sheets
Contact plate thickness: 10mm Insertion depth:34±2mm



Model No.: LYA303 GC8-1250A Flat contact with 24 sheets
Contact plate thickness: 10mm Insertion depth:34±2mm

Model No.: LYA304 GC8-1600A Flat contact with 32 sheets
Contact plate thickness: 10mm Insertion depth:34±2mm

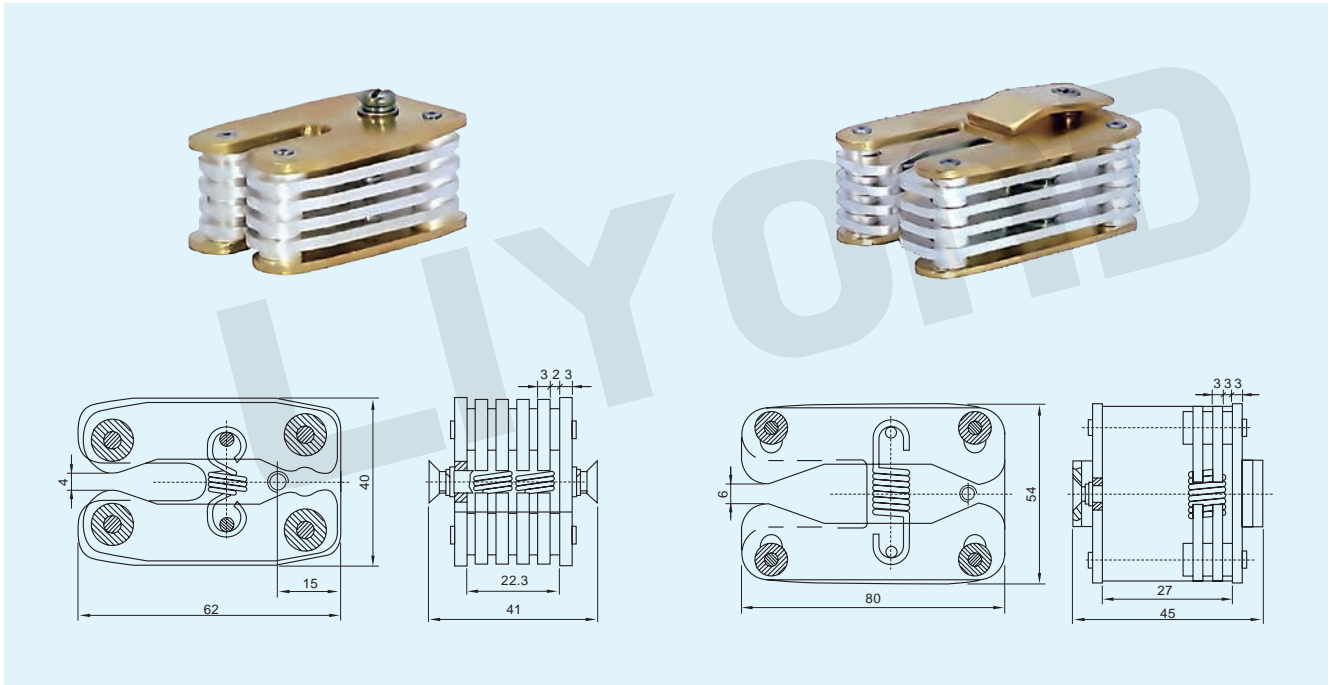




12KV EXTENSION SPRING FLAT CONTACT SERIES

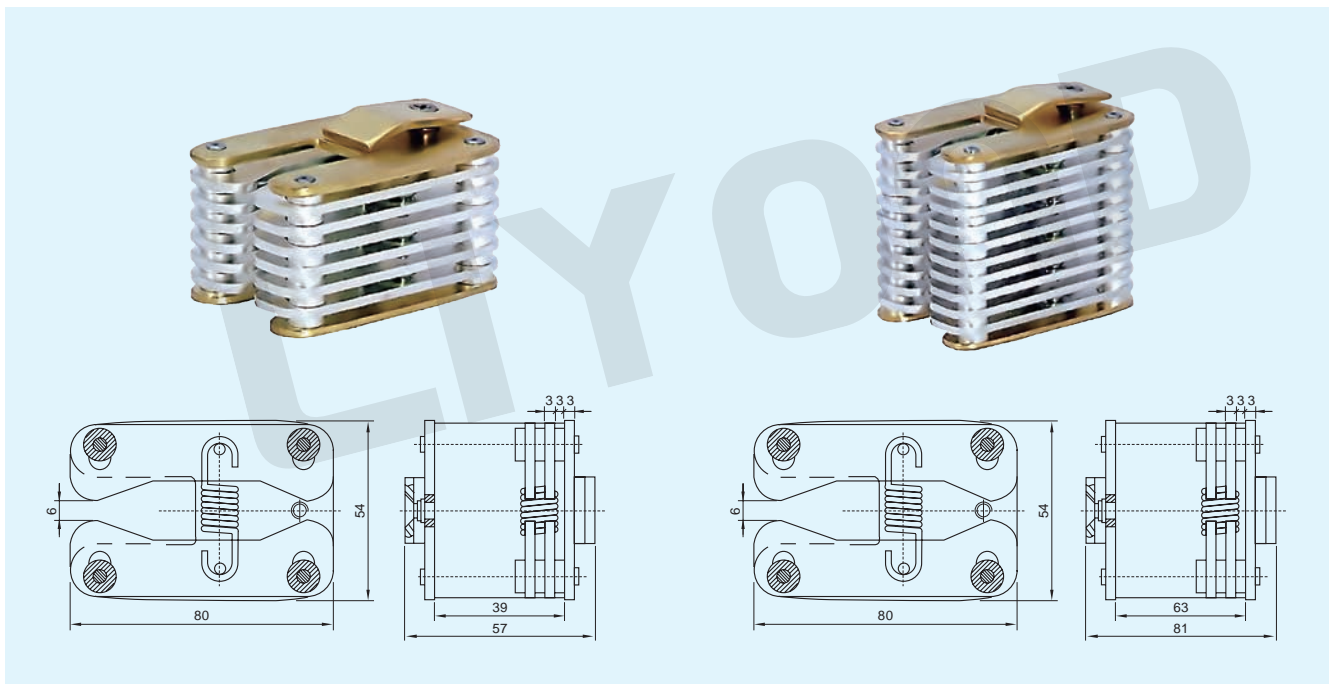
Model No.: LYA401 GC6-400A Flat contact with 8 sheets
Contact plate thickness: 6mm Insertion depth:22±2mm

Model No.: LYA402 GC6-400A Flat contact with 8 sheets
Contact plate thickness: 10mm Insertion depth:34±2mm



Model No.: LYA403 GC6-630A Flat contact with 12 sheets
Contact plate thickness: 10mm Insertion depth:34±2mm

Model No.: LYA404 GC6-1000A Flat contact with 20 sheets
Contact plate thickness: 10mm Insertion depth:34±2mm

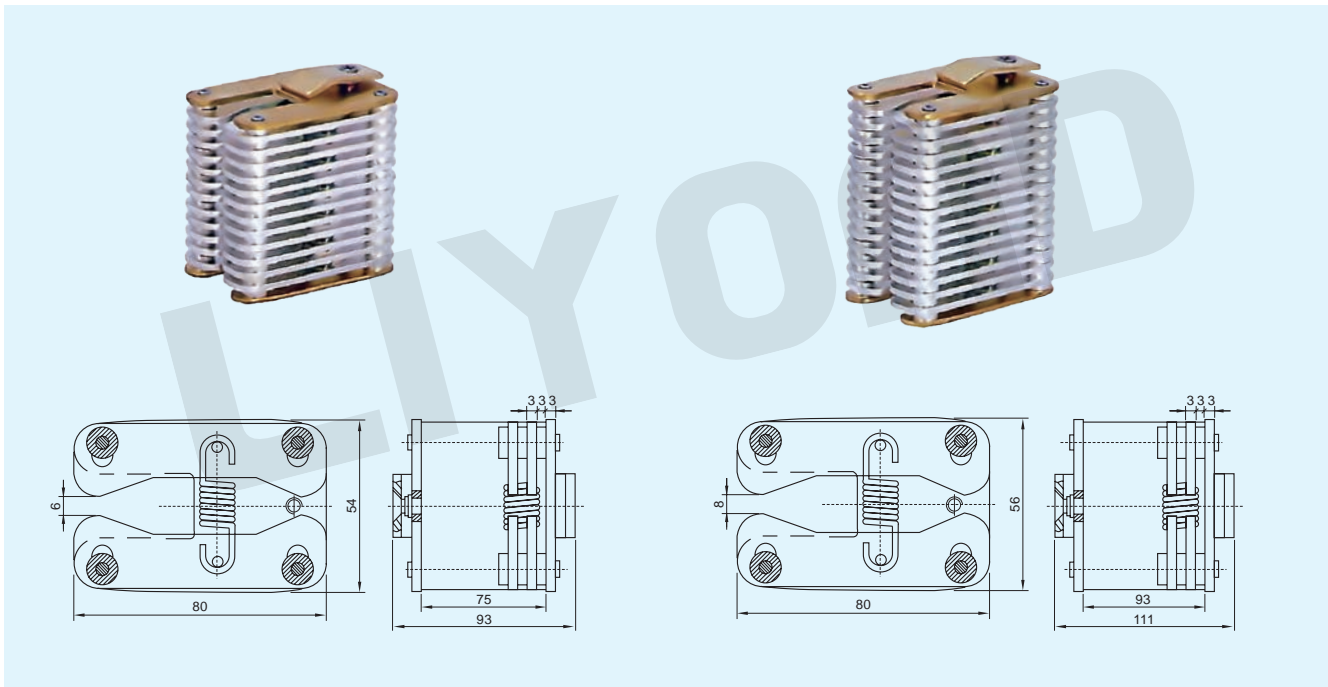




12KV EXTENSION SPRING FLAT CONTACT SERIES

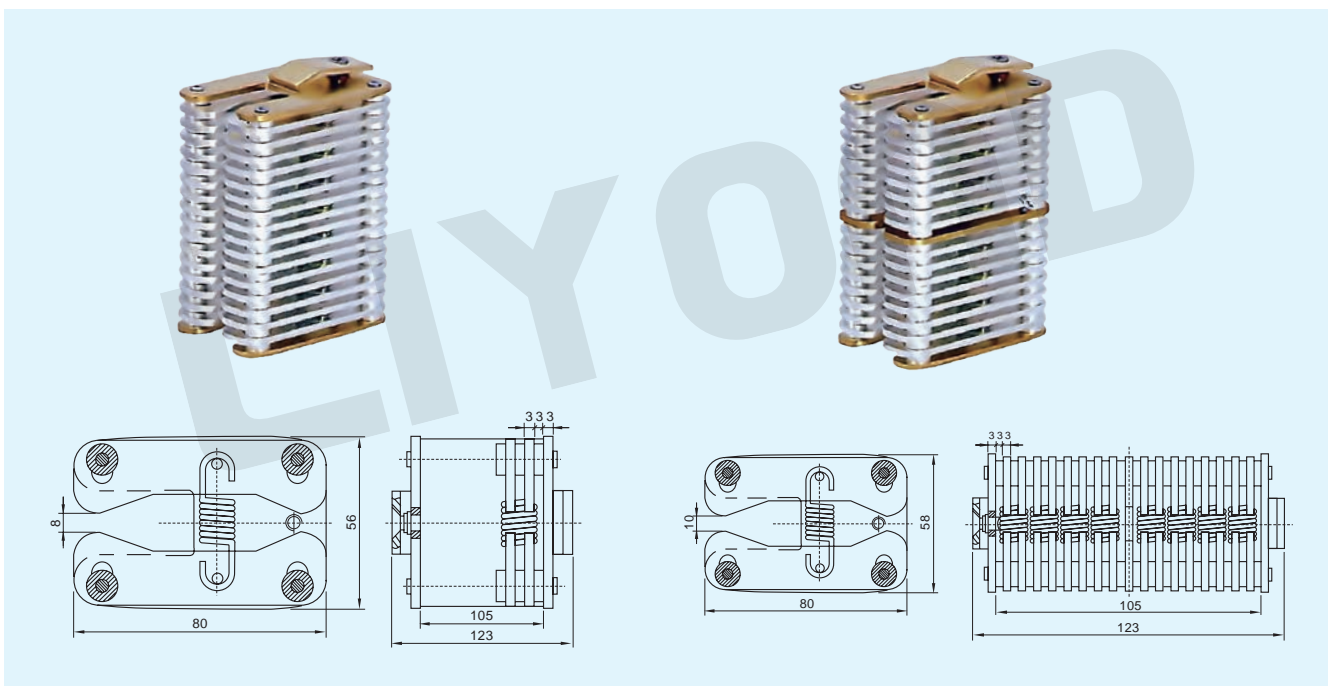
Model No.: LYA405 GC6-1250A Flat contact with 24 sheets
Contact plate thickness: 10mm Insertion depth:34±2mm

Model No.: LYA406 GC6-1600A Flat contact with 28 sheets
Contact plate thickness: 12mm Insertion depth:34±2mm



Model No.: LYA407 GC6-1600A Flat contact with 32 sheets
Contact plate thickness: 12mm Insertion depth:34±2mm

Model No.: LYA408 GC6-2000A Flat contact with 32 sheets
Contact plate thickness: 15mm Insertion depth:34±2mm

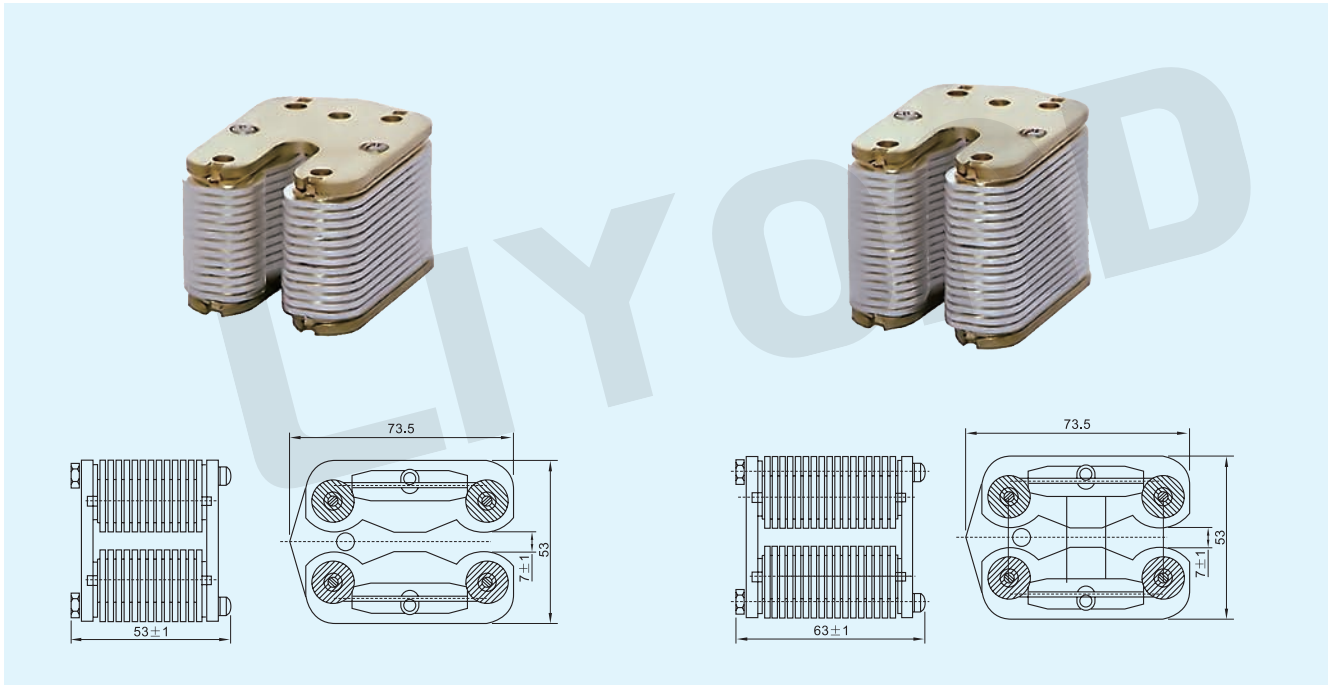




12KV PRESSURE SPRING FLAT CONTACT SERIES

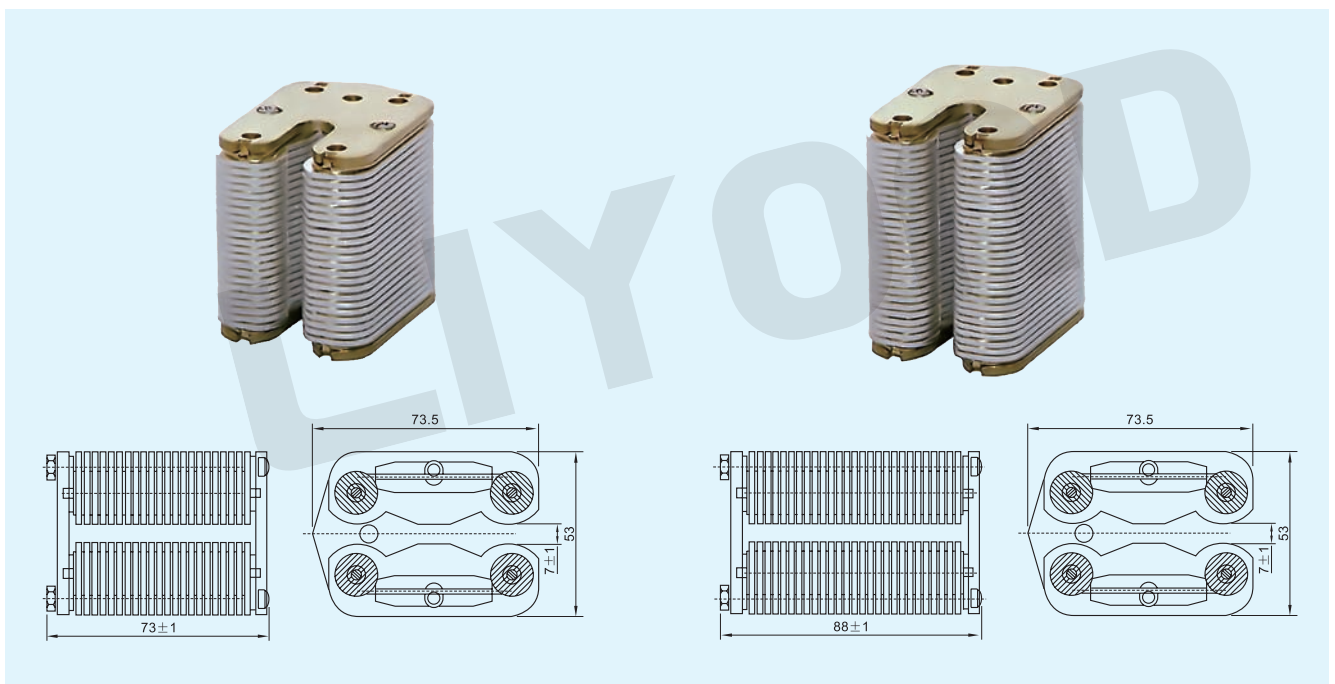
Model No.: LYA501 GC7-400A Flat contact with 26 sheets
Contact plate thickness: 10mm Insertion depth:34±2mm

Model No.: LYA502 GC7-630A Flat contact with 34 sheets
Contact plate thickness: 10mm Insertion depth:34±2mm



Model No.: LYA503 GC7-1000A Flat contact with 44 sheets
Contact plate thickness: 10mm Insertion depth:34±2mm

Model No.: LYA504 GC7-1250A Flat contact with 54 sheets
Contact plate thickness: 10mm Insertion depth:34±2mm

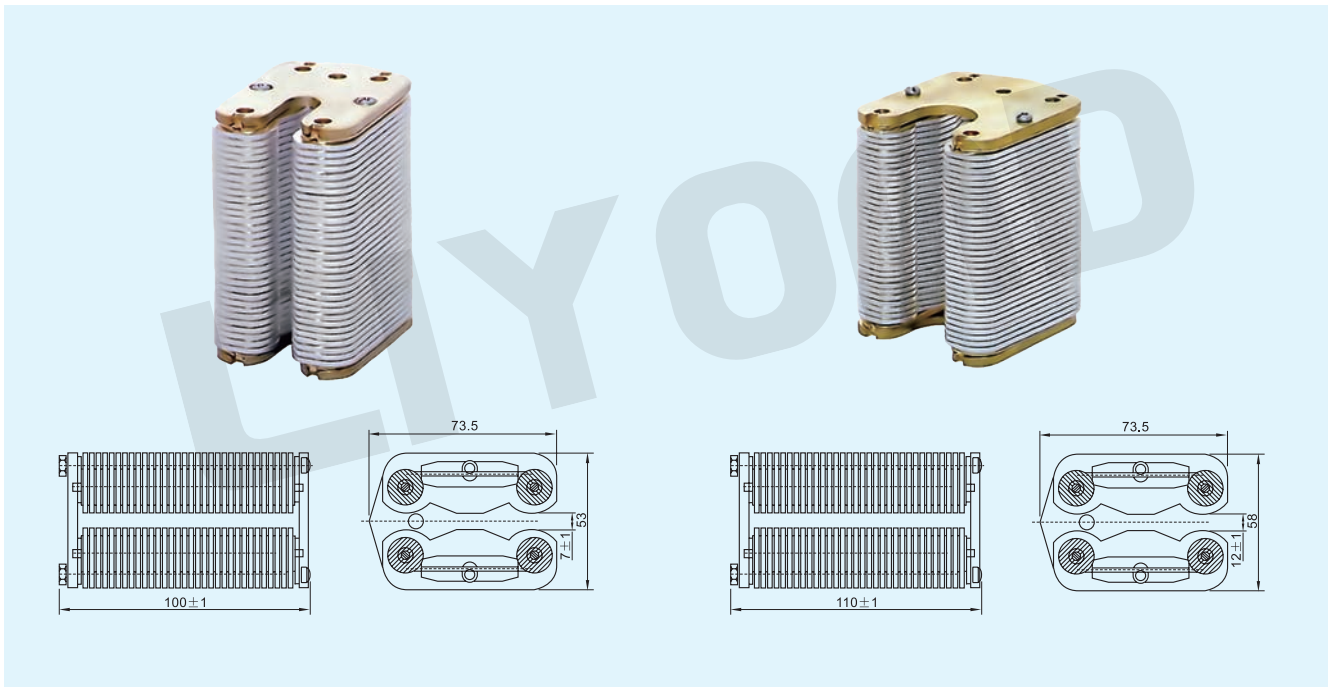




12KV PRESSURE SPRING FLAT CONTACT SERIES

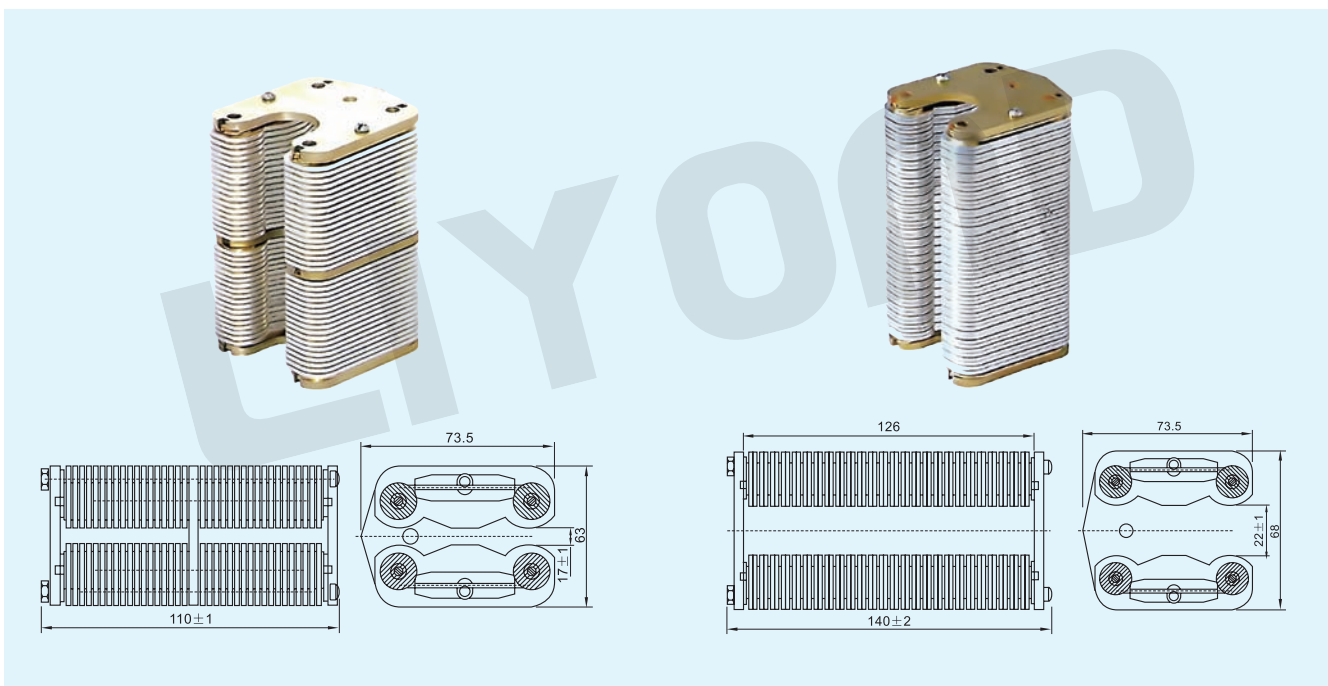
Model No.: LYA505 GC7-1600A Flat contact with 64 sheets
Contact plate thickness: 10mm Insertion depth:34±2mm

Model No.: LYA506 GC7-1600A Flat contact with 64 sheets
Contact plate thickness: 15mm Insertion depth:34±2mm



Model No.: LYA507 GC7-2000A Flat contact with 72 sheets
Contact plate thickness:20mm Insertion depth:34±2mm

Model No.: LYA508 GC7-2500A Flat contact with 104 sheets
Contact plate thickness:25mm Insertion depth:34±2mm

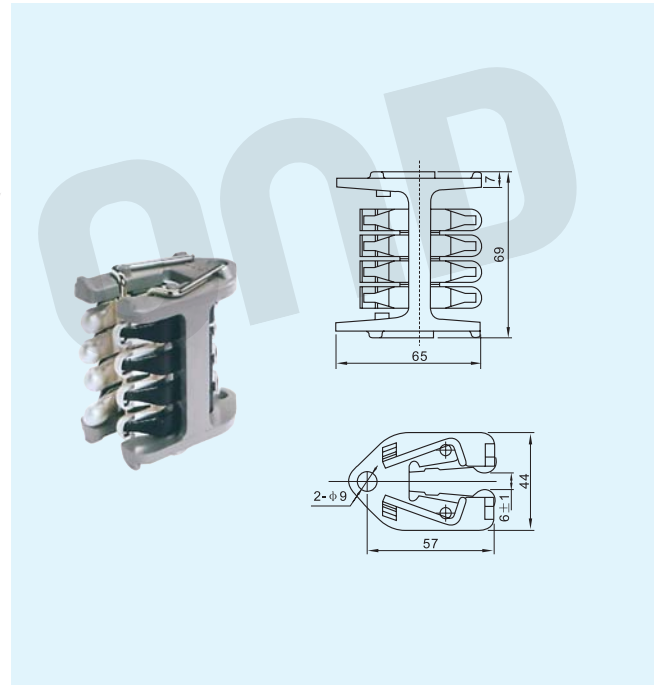
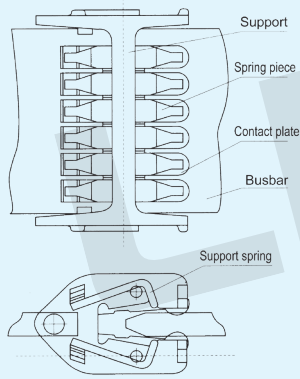




LONGITUDINAL ROTARY CONTACT SERIES

Model No.: LYA509 Contact plate thickness: 10mm
WCD-630 Longitudinal rotary contact with 8 sheets

Contact Installation Diagram



Model No.: LYA510 Contact plate thickness: 10mm
WCD-1250 Longitudinal rotary contact with 12 sheets

Model No.: LYA511 Contact plate thickness: 10mm
WCD-1600 Longitudinal rotary contact with 16 sheets

