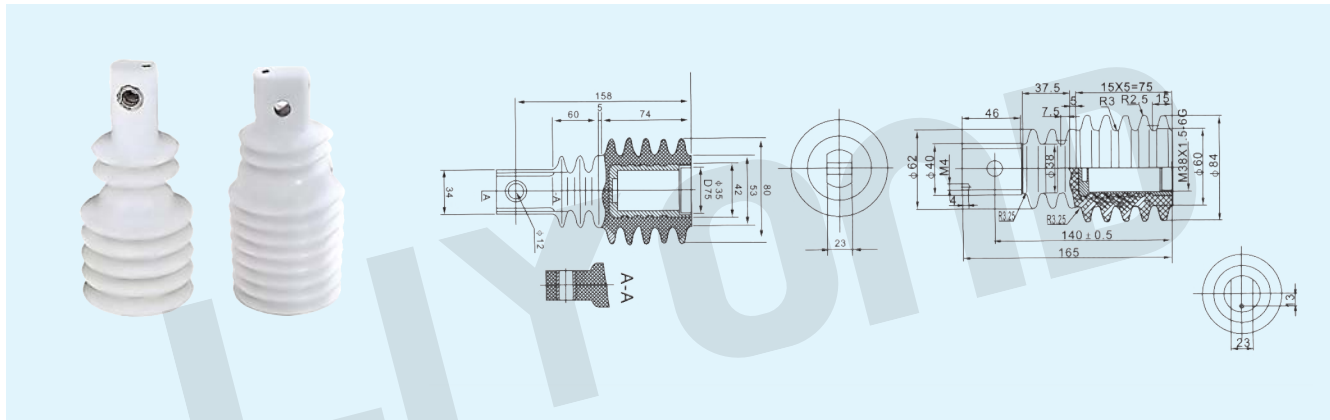


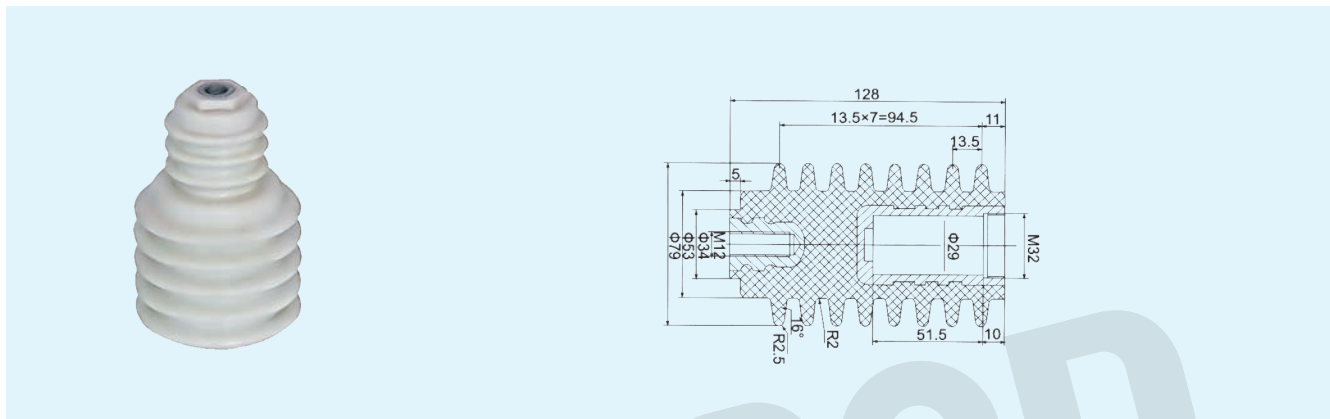


INSULATED OPERATING ROD SERIES

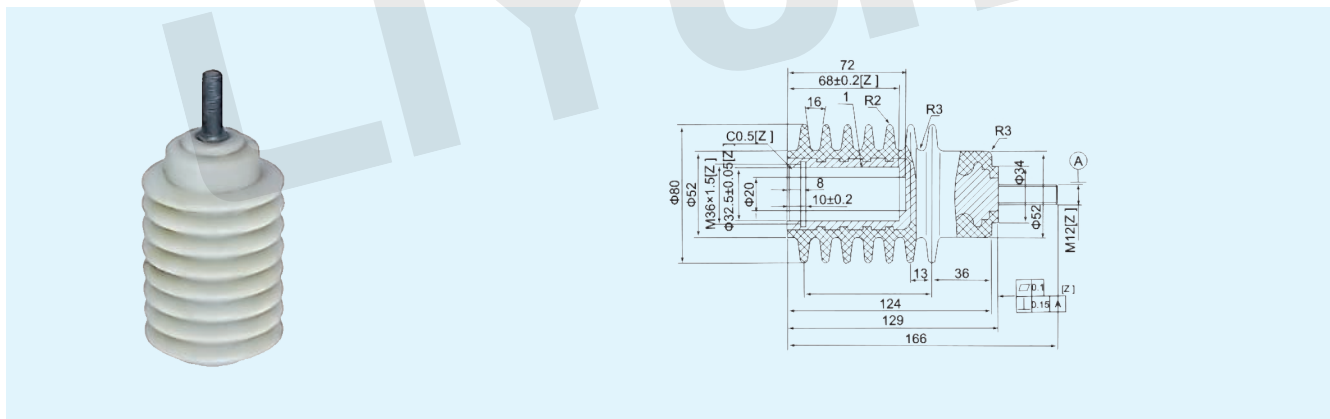
Model No.:LYC170
Name:VS1-12/630-1250A Insulated operating rod (Fixed)



Model No.:LYC171
Name:VS1-12/630-1250A Insulated operating rod(Solid sealed)

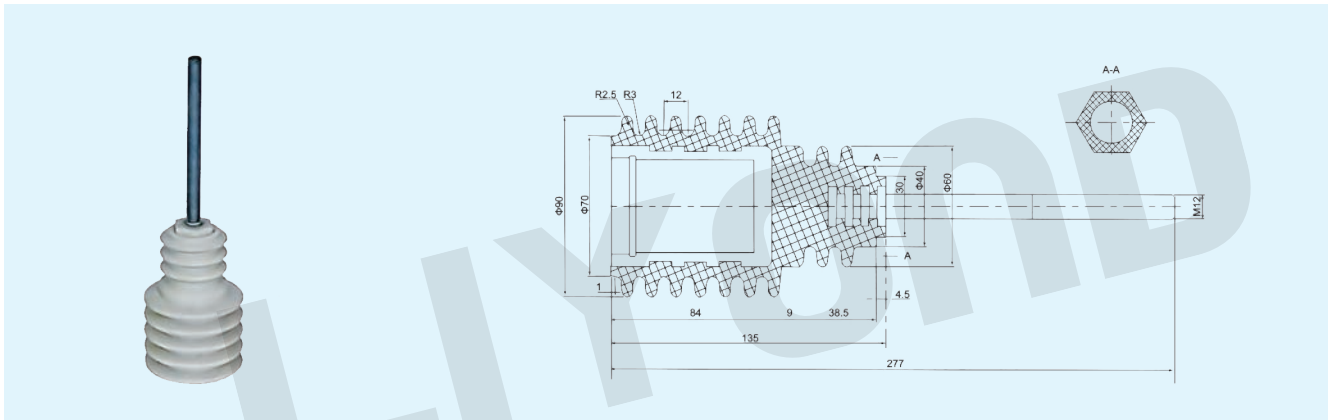


Model No.: LYC172
Name:VS1-12/630-1250A Insulated operating rod(Solid sealed)

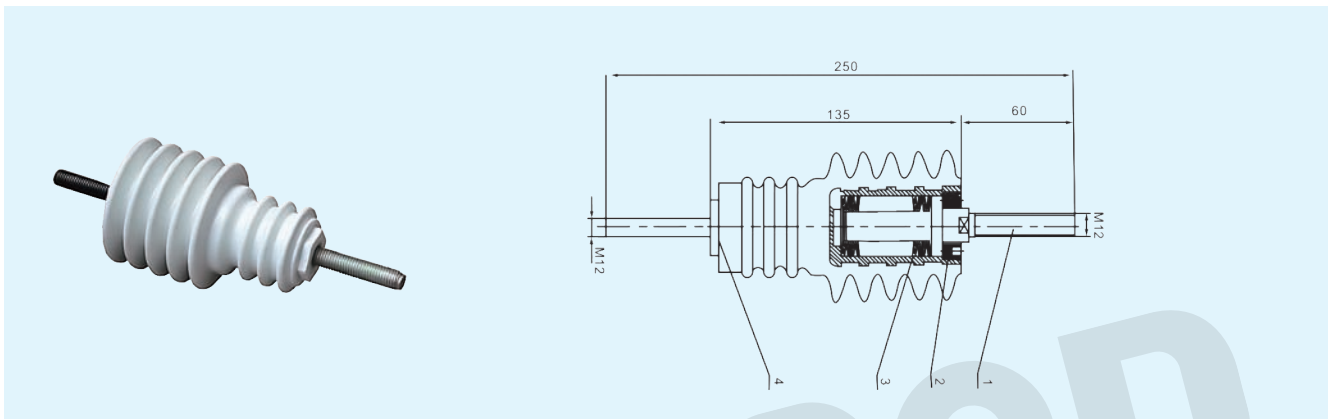


LIYOND INSULATED OPERATING ROD SERIES

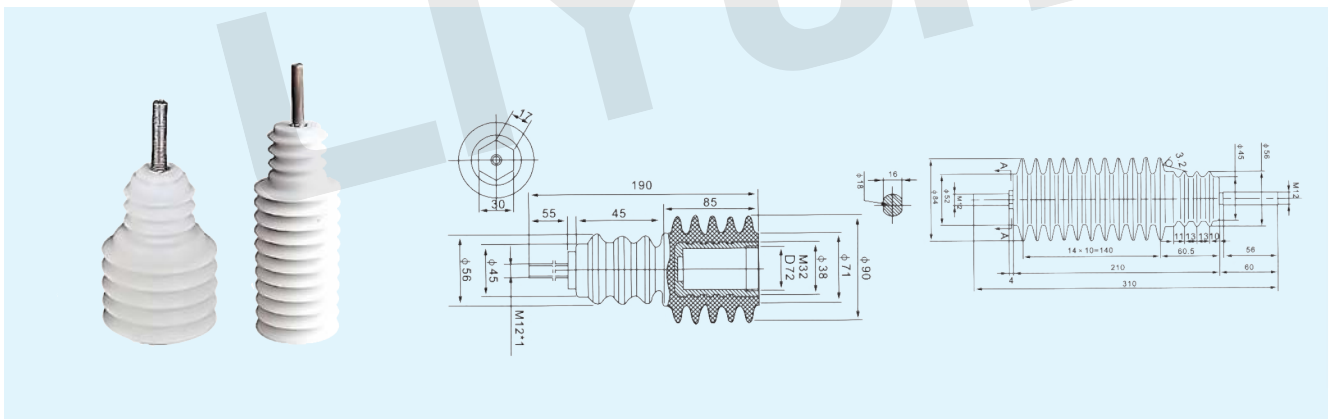
Model No.: LYC173
Name:VS1-12/630-1250A Insulated operating rod(Side-mounted)



Model No.:LYC174
Name:VS1-12/630-1250A Insulated operating rod



Model No.:LYC175
Name:VS1-12/2000-4000A Insulated operating rod(Adjustable)

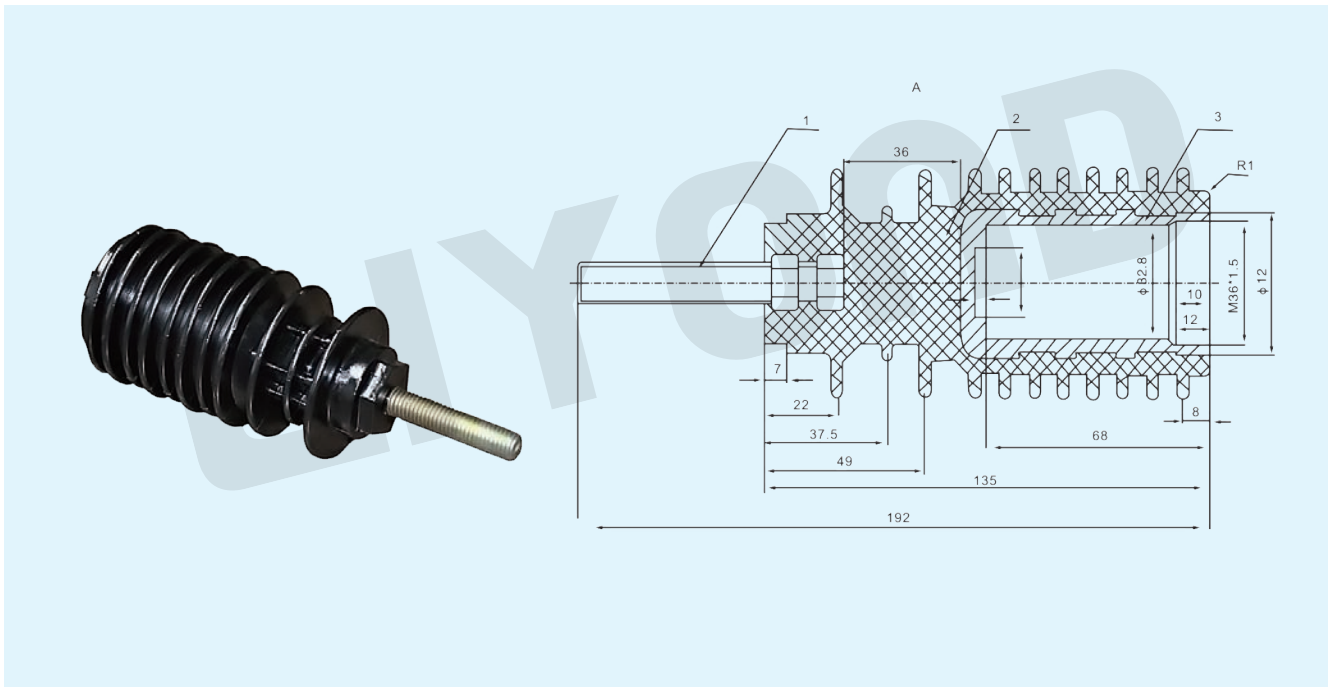




INSULATED OPERATING ROD SERIES

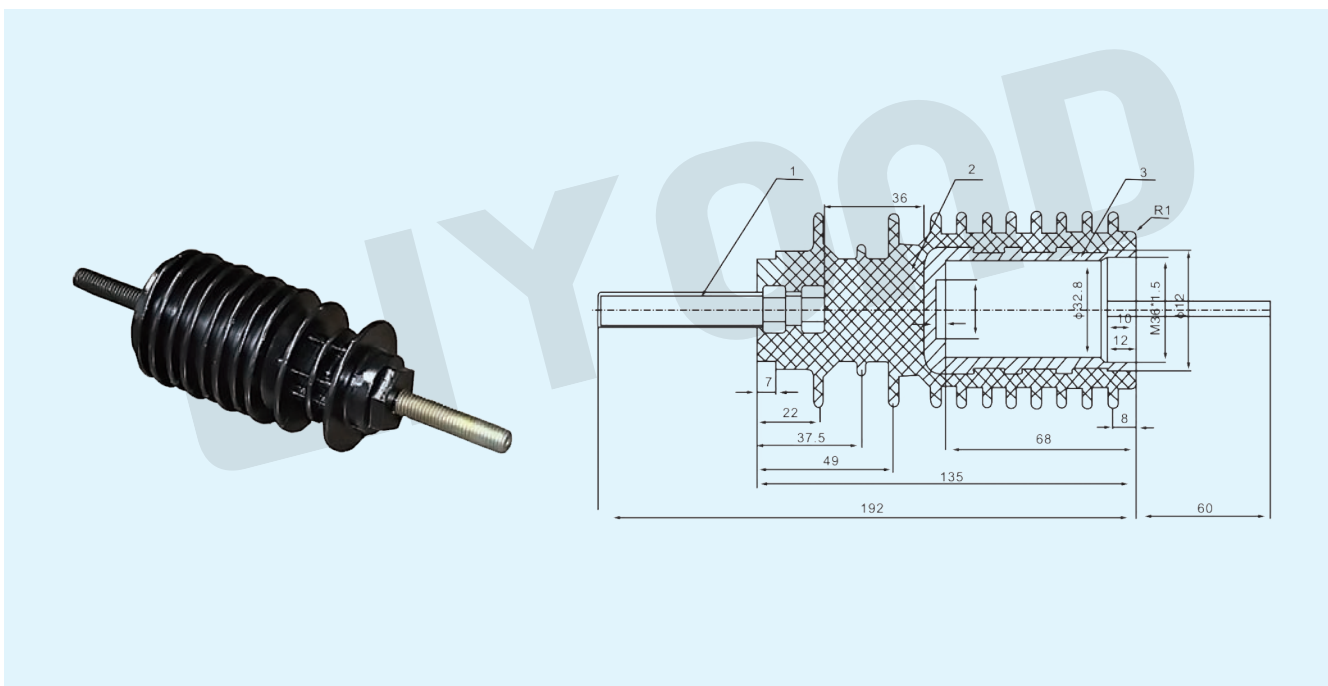
Model No.: LYC176

Name:VS1-12 PA66 Insulated operating rod(Solid sealed)



Model No.: LYC177

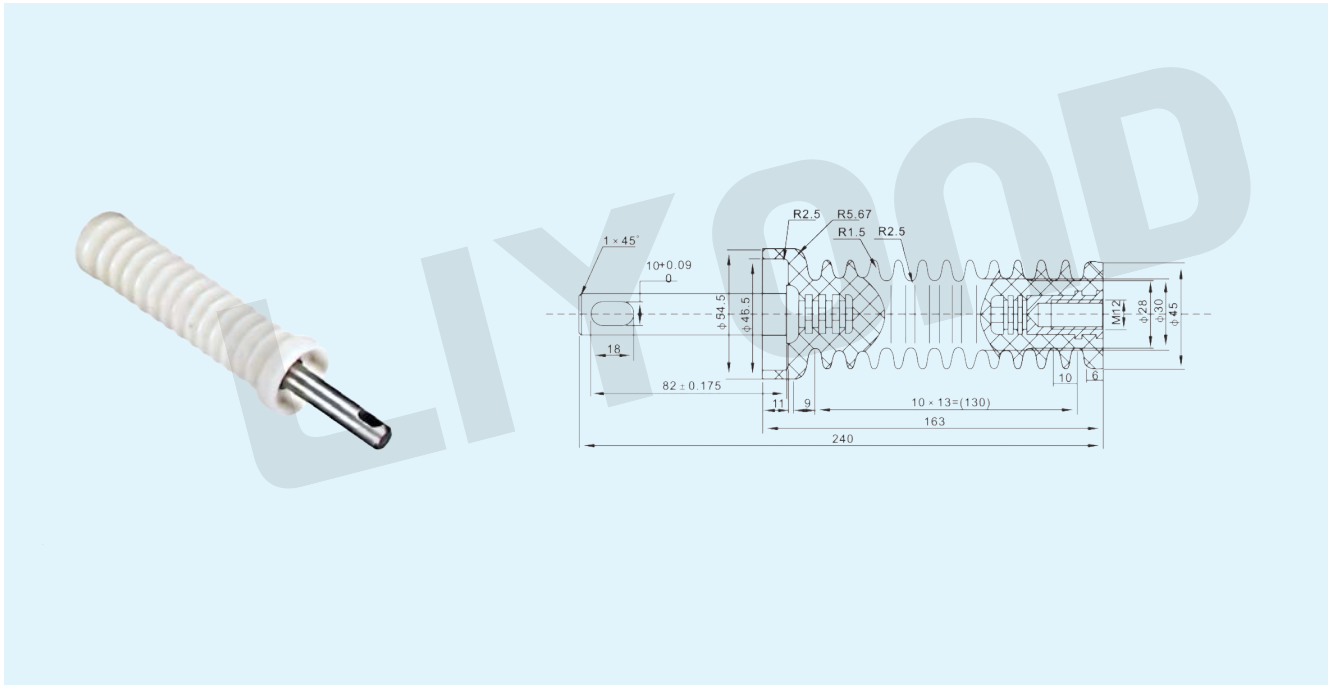
Name:VS1-12 PA66 Insulated operating rod(Solid sealed)





INSULATED OPERATING ROD SERIES

Model No.:LYC178
Name:ZN28-12 Insulated operating rod(Plateau type)



Model No.:LYC179
Name:ZN28-12 Insulated rod(Plateau type)

