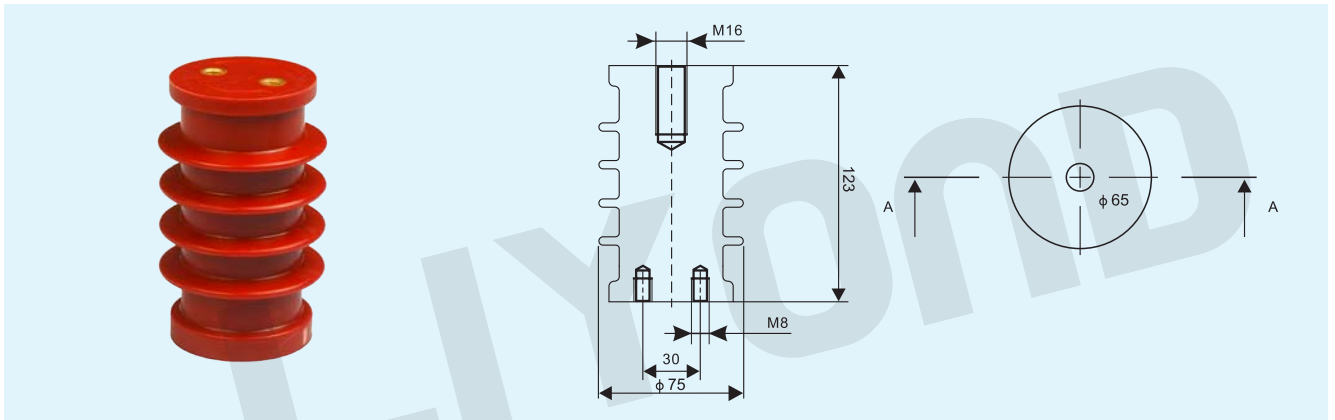


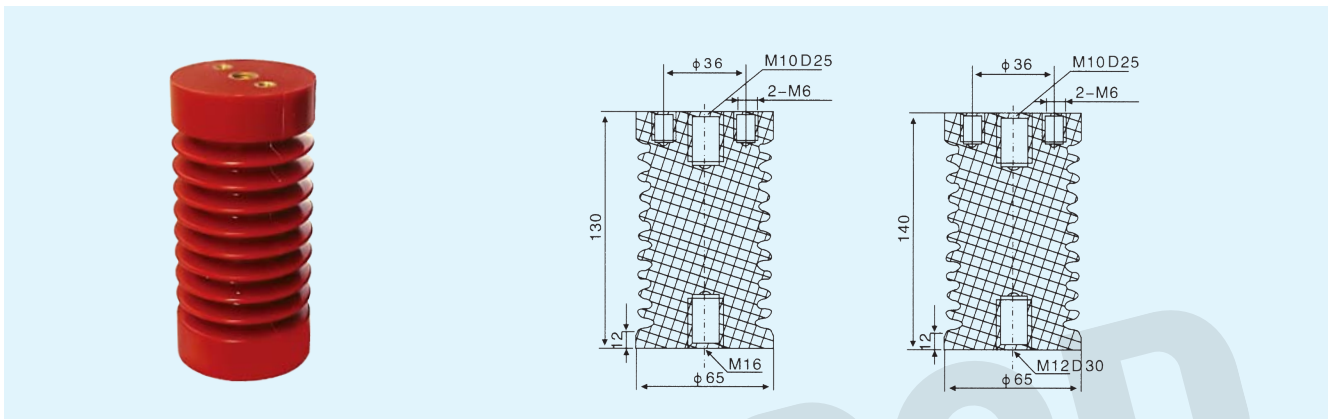


12KV INSULATOR SERIES

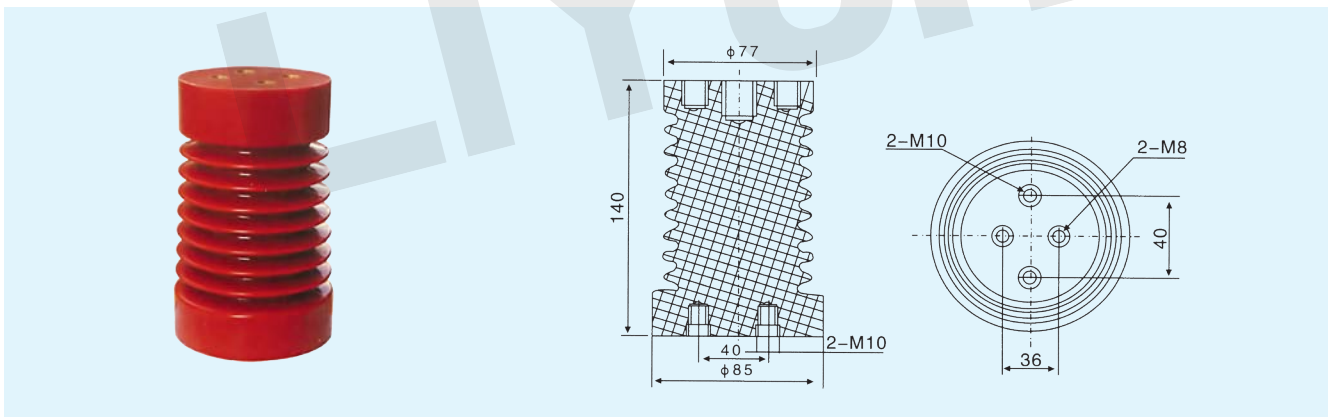
Model No.:LYC101
Name:ZJ-12/ ϕ 75x123 Insulator



Model No.:LYC102
Name:ZJ-12/ ϕ 65x130 (140) Insulator



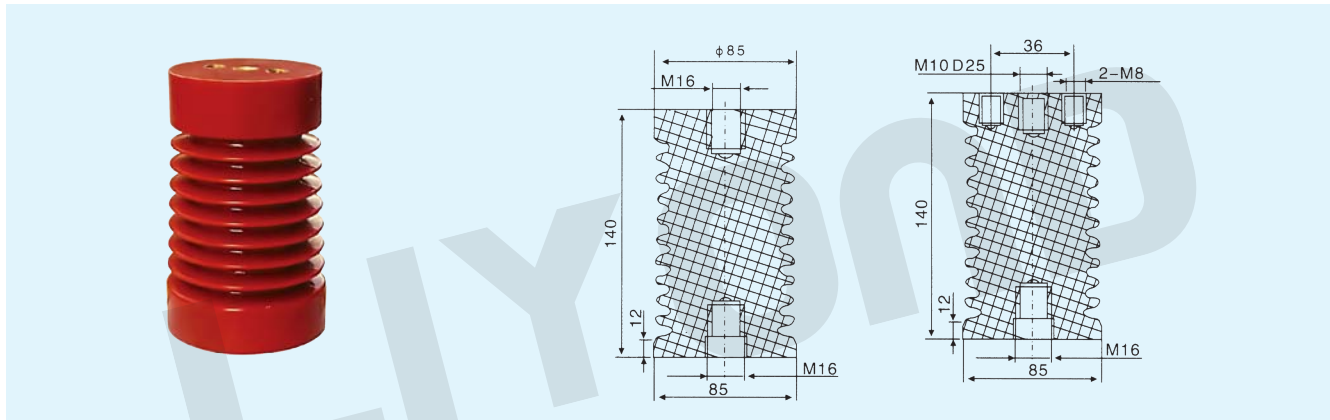
Model No.:LYC103
Name:ZJ-12/ ϕ 85x140 Insulator



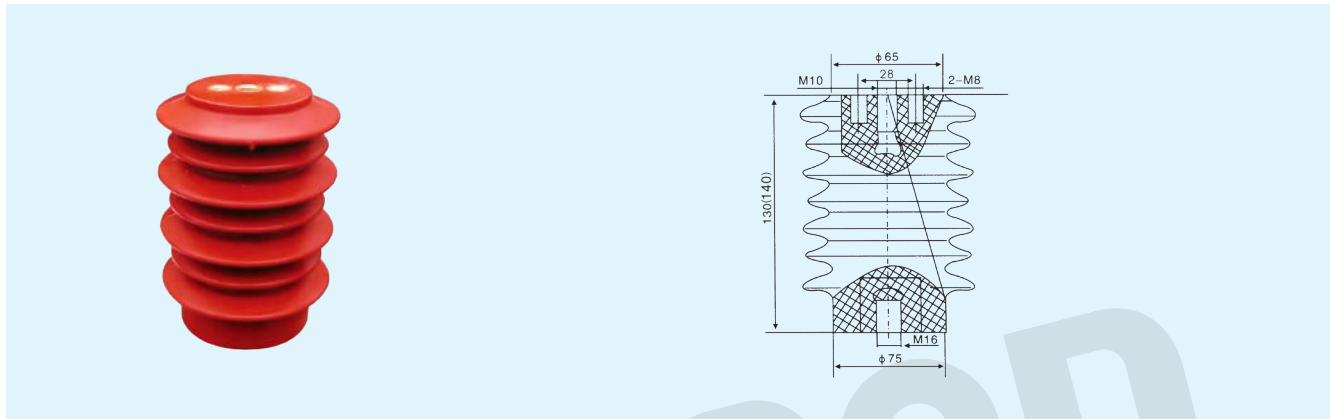


12KV INSULATOR SERIES

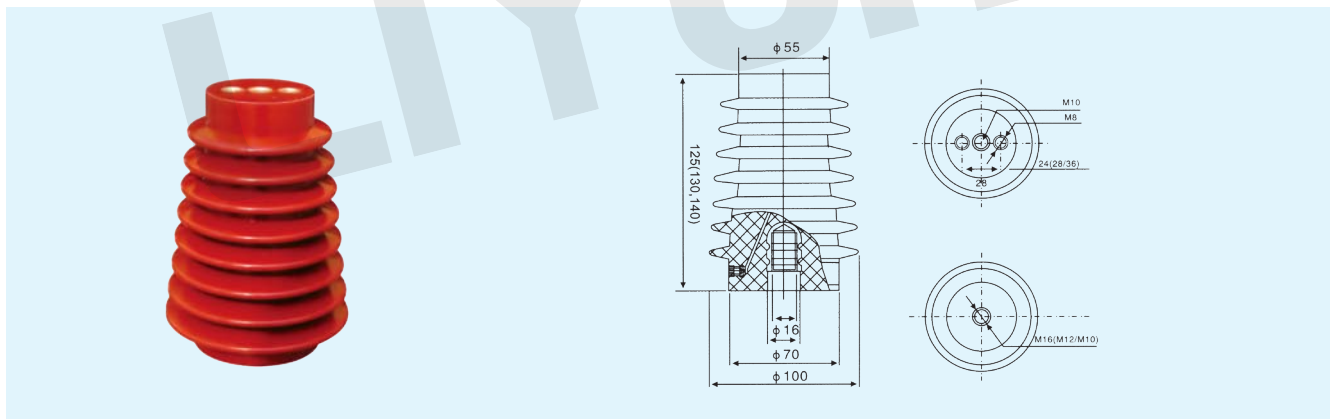
Model No.:LYC104
Name:ZJ-12/ ϕ 85x140(145) Insulator



Model No.: LYC105
Name:ZJ-12/ ϕ 75x130(140) Insulator



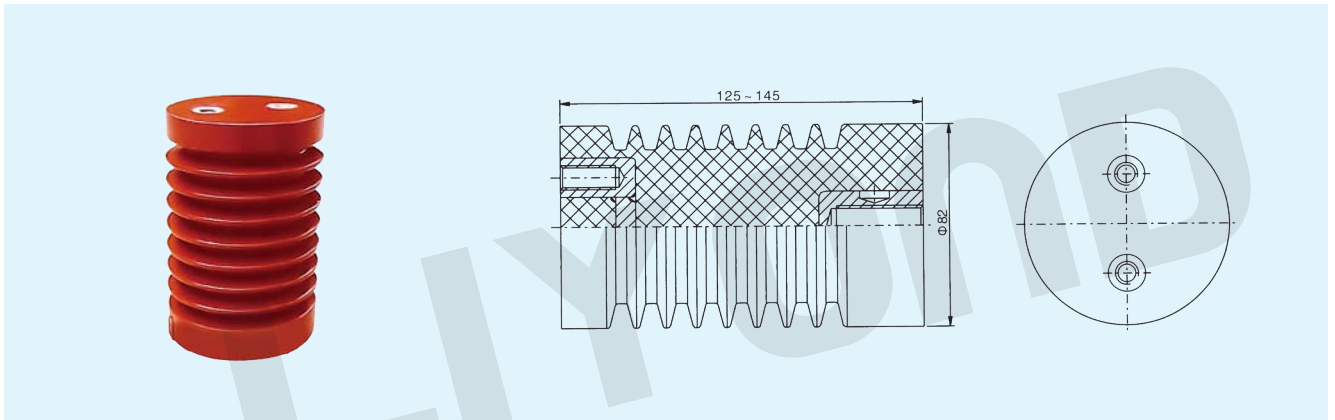
Model No.:LYC106
Name:ZJ-12/ ϕ 100x125(130,140) Insulator(Sensor)



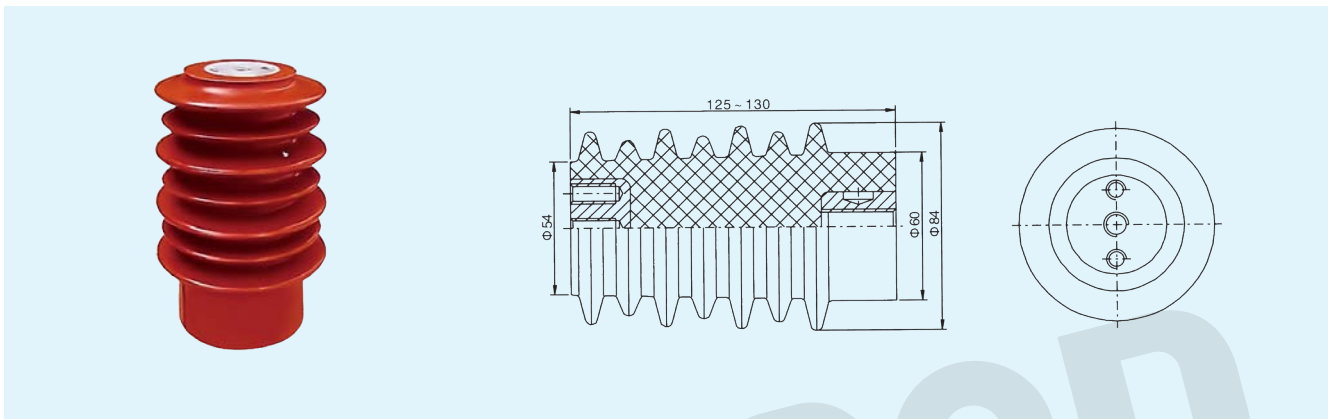


12KV INSULATOR SERIES

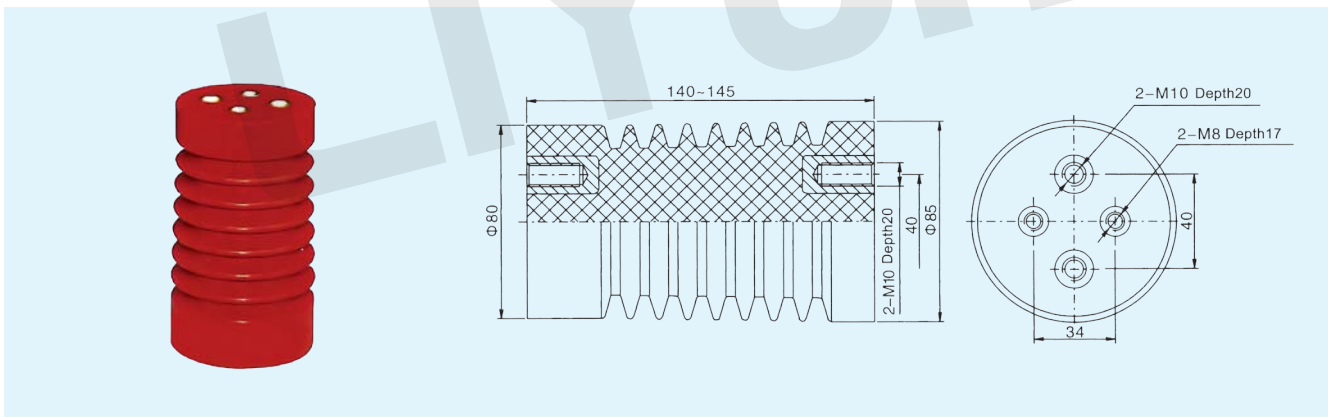
Model No.:LYC107
Name:ZJ-12/ ϕ 82x125~145 Insulator(Sensor)



Model No.:LYC108
Name:ZJ-12/ ϕ 84x125~130 Insulator(Sensor)



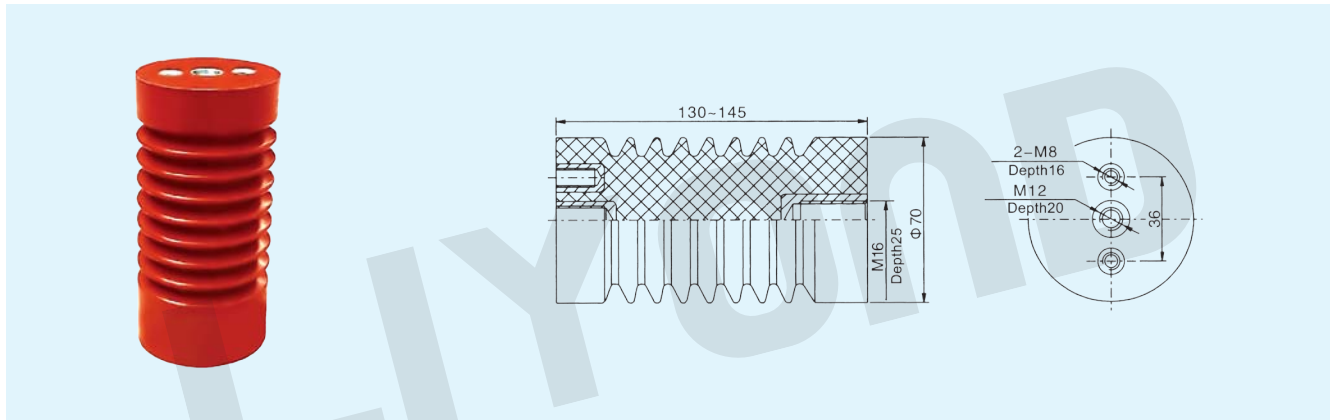
Model No.:LYC109
Name:ZJ-12/ ϕ 85x140~145 Insulator



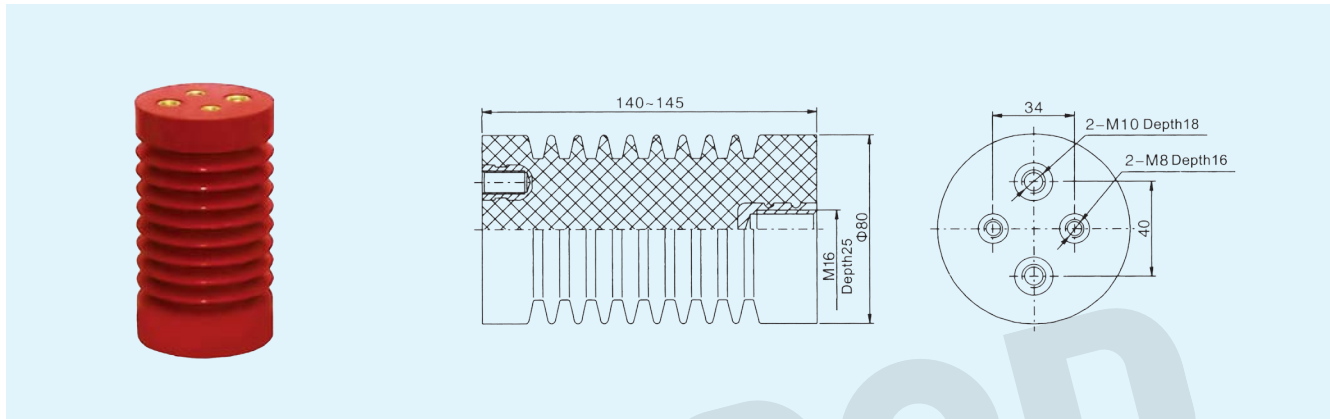


12KV INSULATOR SERIES

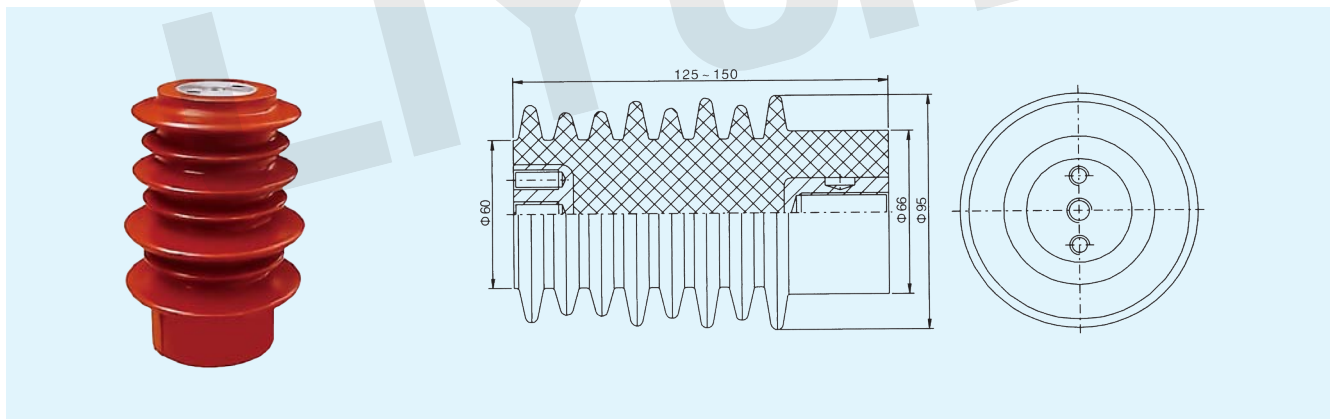
Model No.:LYC110
Name:ZJ-12/ φ 70x130-145 Insulator



Model No.:LYC111
Name:ZJ-12/ φ 80x140-145 Insulator



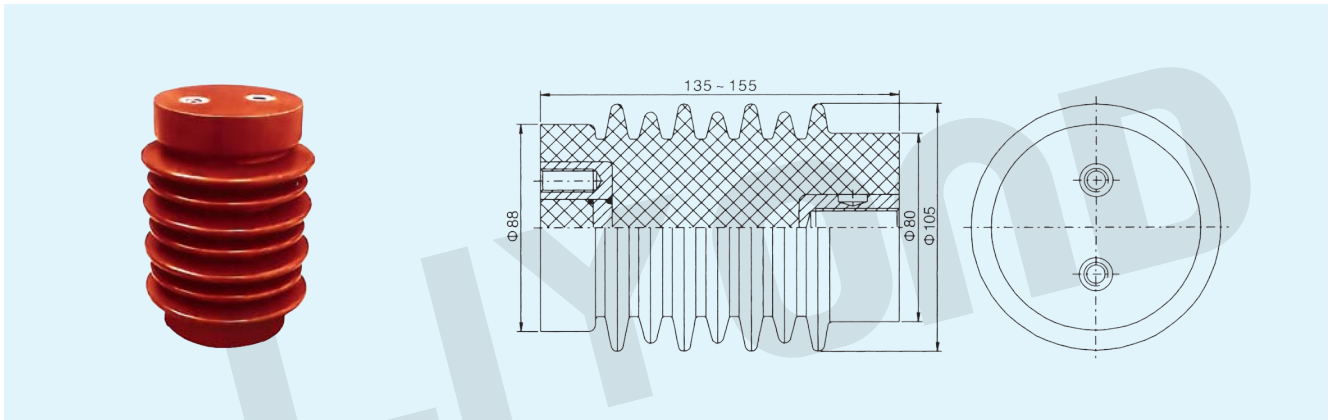
Model No.:LYC112
Name:ZJ-12/ φ 95x125-150 Insulator(Sensor)



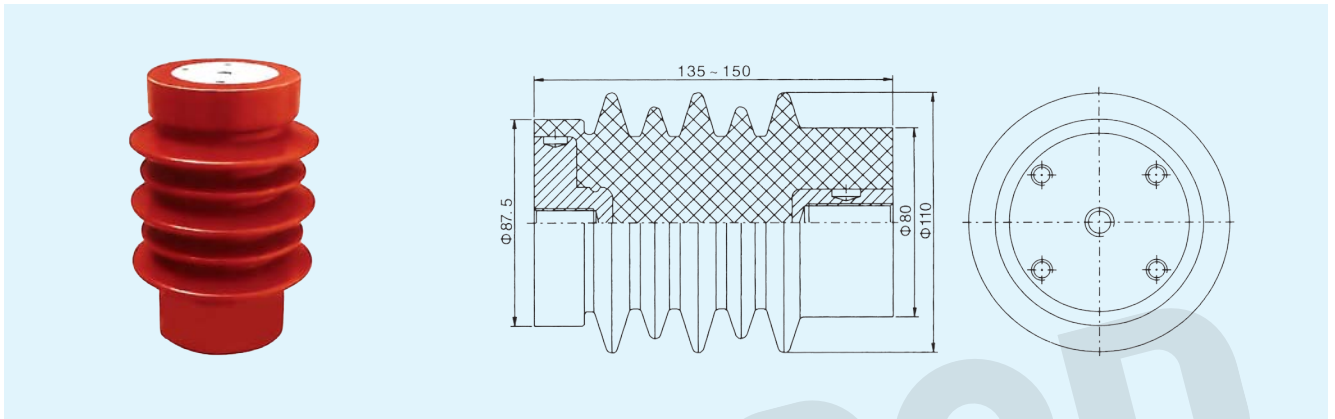


12KV INSULATOR SERIES

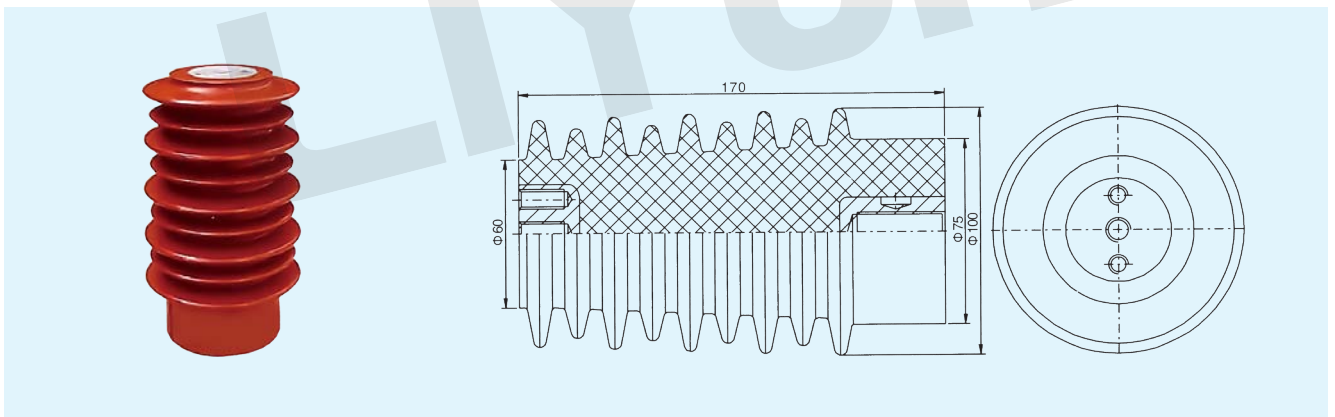
Model No.:LYC113
Name:ZJ-12/ ϕ 105x135-155 Insulator(Sensor)



Model No.:LYC114
Name:ZJ-12/ ϕ 110x135-150 Insulator(Sensor)



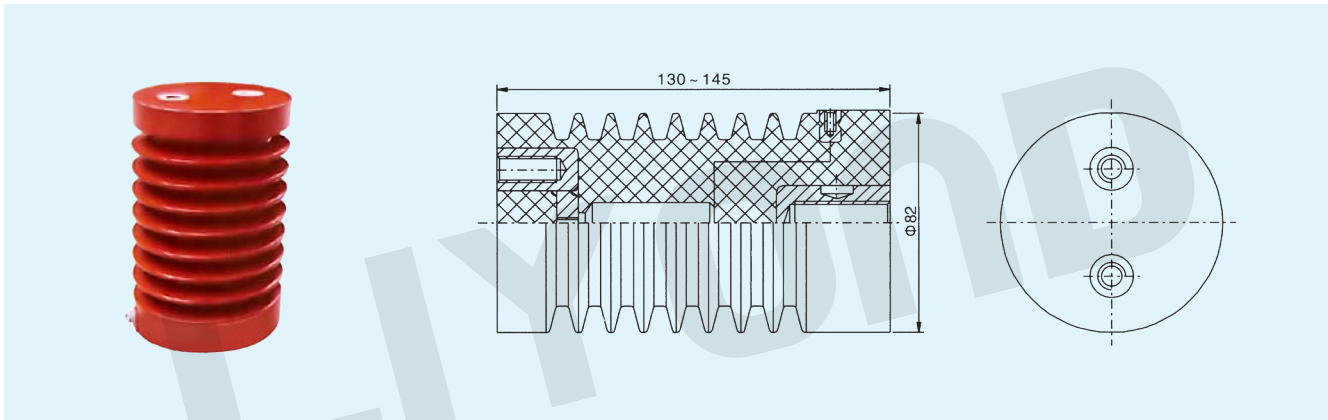
Model No.: LYC115
Name:ZJ-12/ ϕ 100x170 Insulator(Sensor)



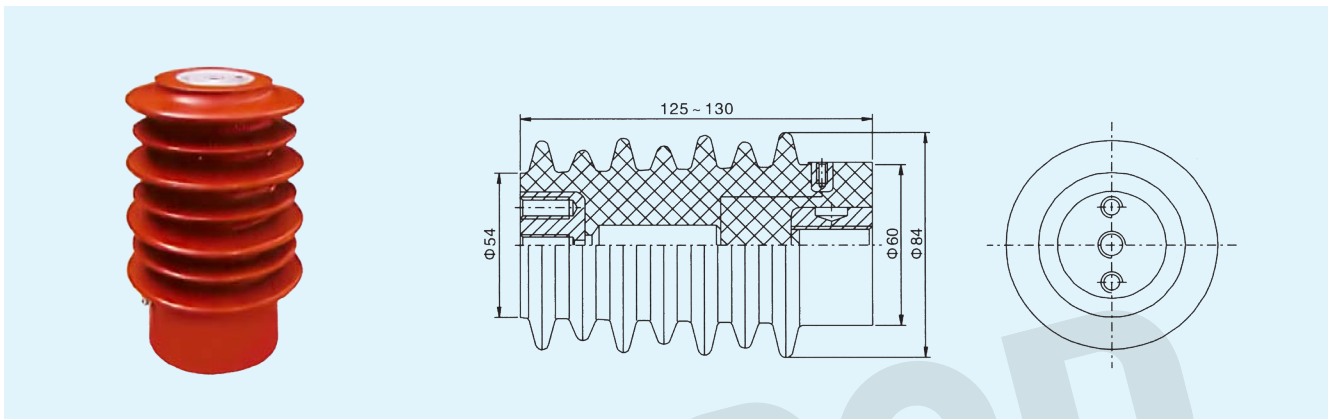


12KV SENSOR SERIES

Model No.: LYC116
Name:CG-12/ ϕ 82x130~145 Sensor



Model No.:LYC117
Name:CG-12/ ϕ 84x125~130 Sensor



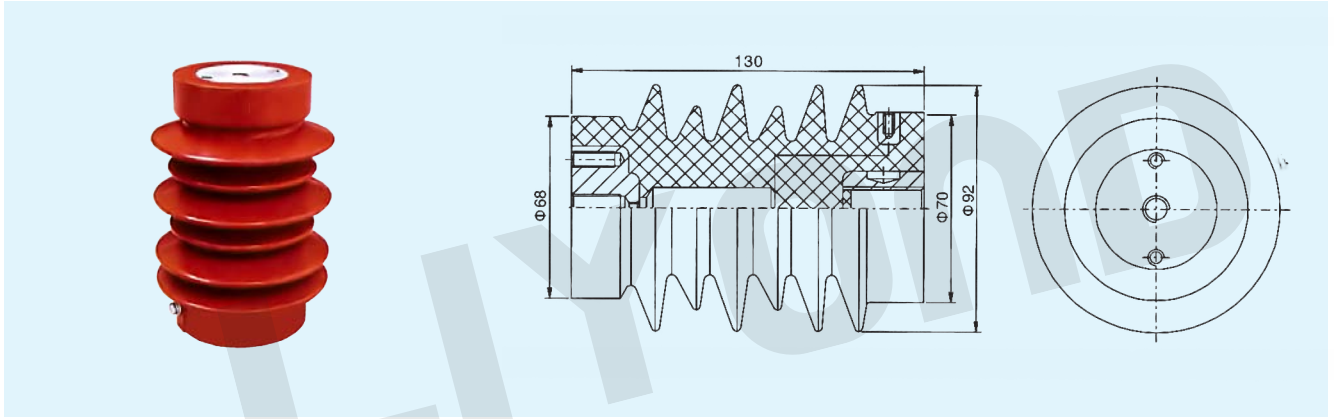
Model No.:LYC118
Name:CG-12/ ϕ 70x130(140) Sensor



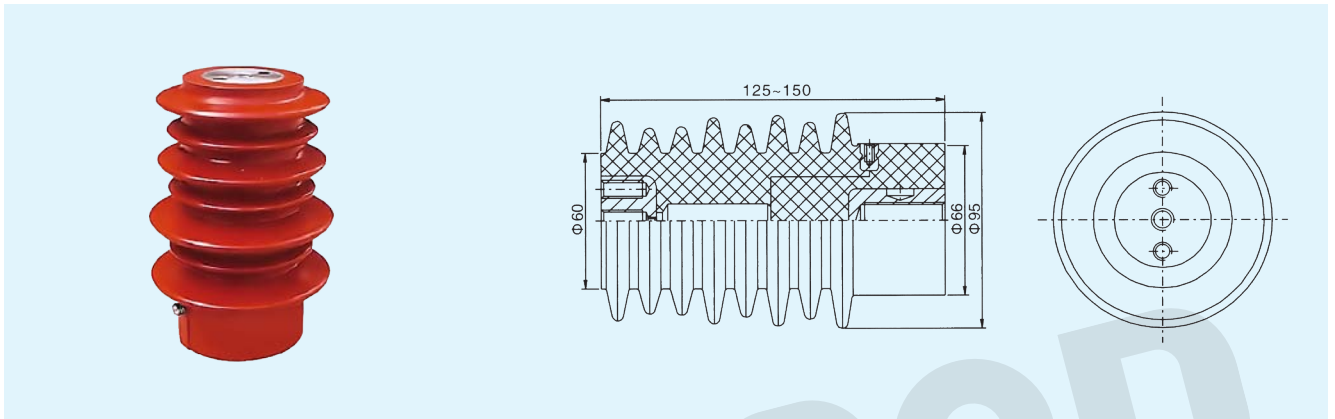


12KV SENSOR SERIES

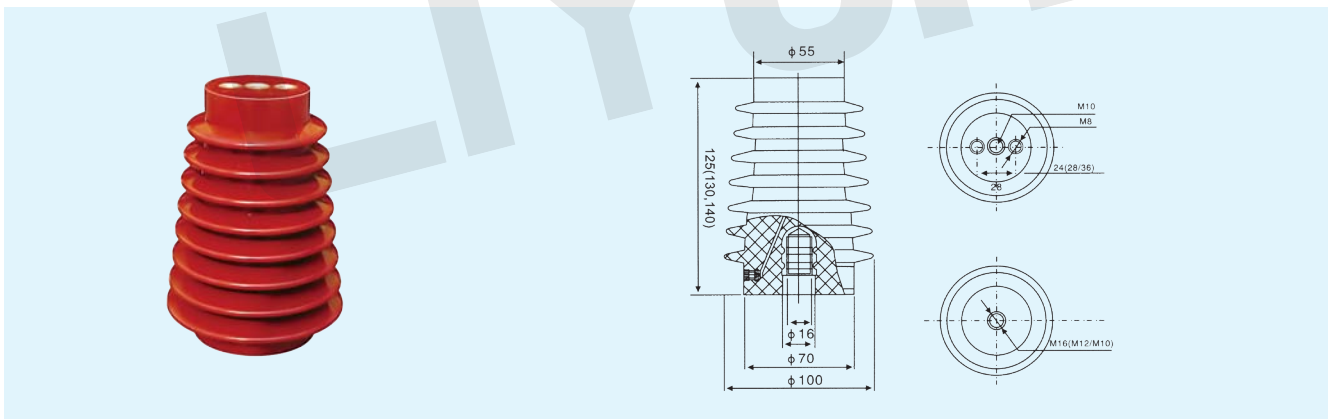
Model No.:LYC119
Name:CG-12/ φ 92x130 Sensor



Model No.: LYC120
Name:CG-12/ φ 95x125~150 Sensor



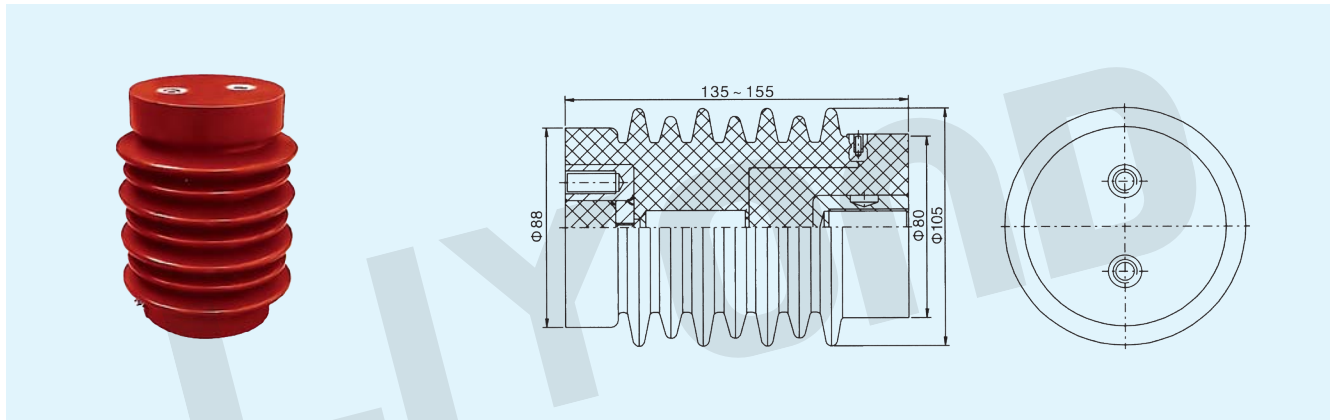
Model No.:LYC121
Name:CG-12/ φ 100x125(130,140) Sensor



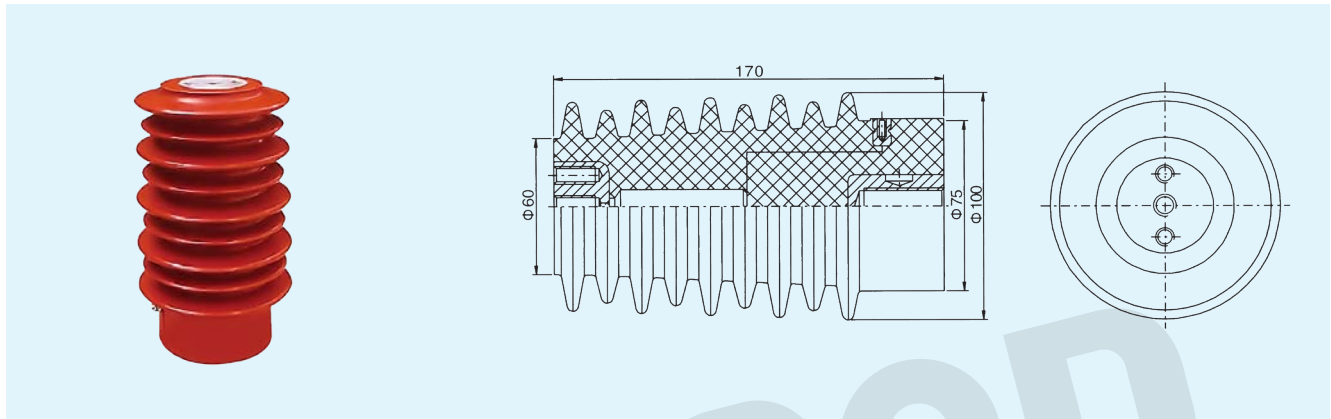


12KV SENSOR SERIES

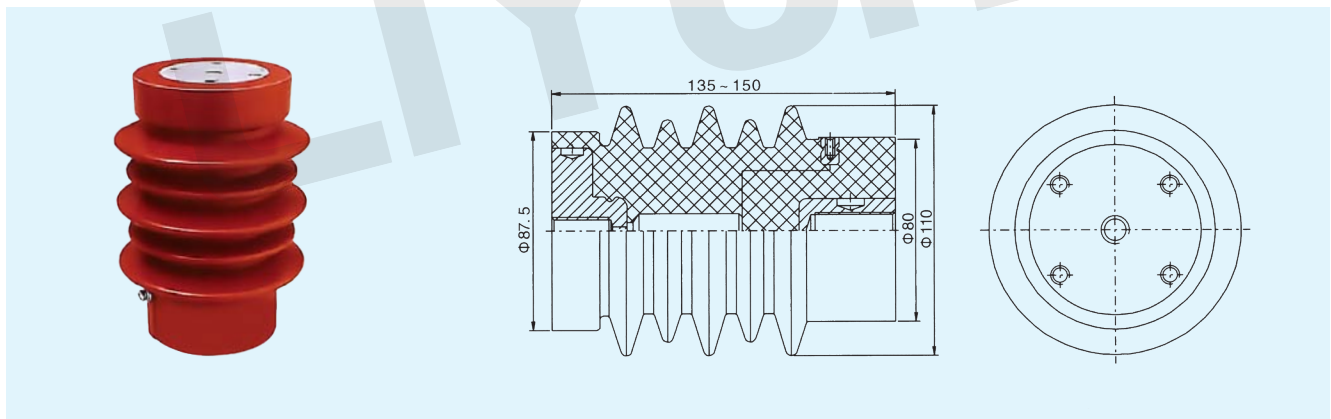
Model No.: LYC122
Name:CG-12/ ϕ 105x135-155 Sensor



Model No.:LYC123
Name:CG-12/ ϕ 100x170 Sensor



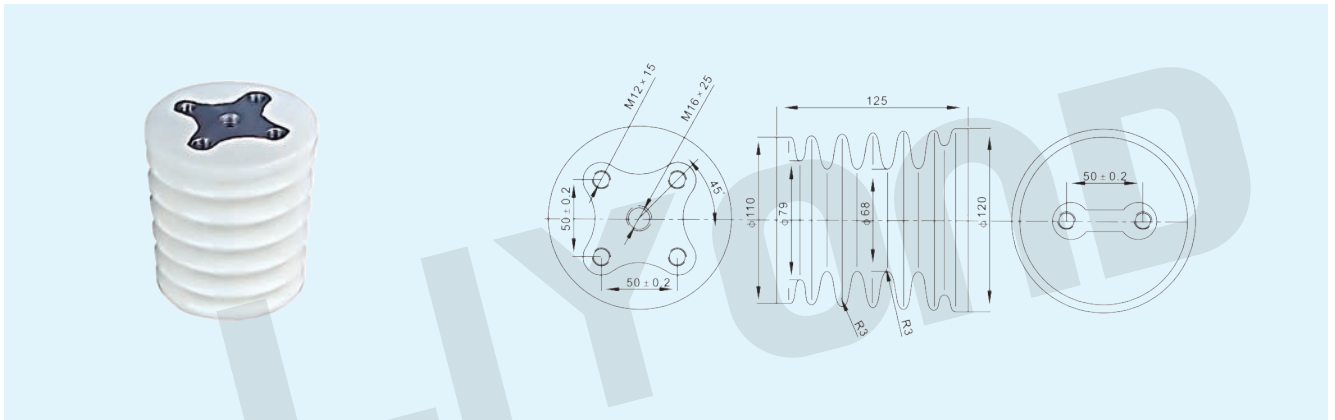
Model No.:LYC124
Name:CG-12/ ϕ 110x135-150 Sensor



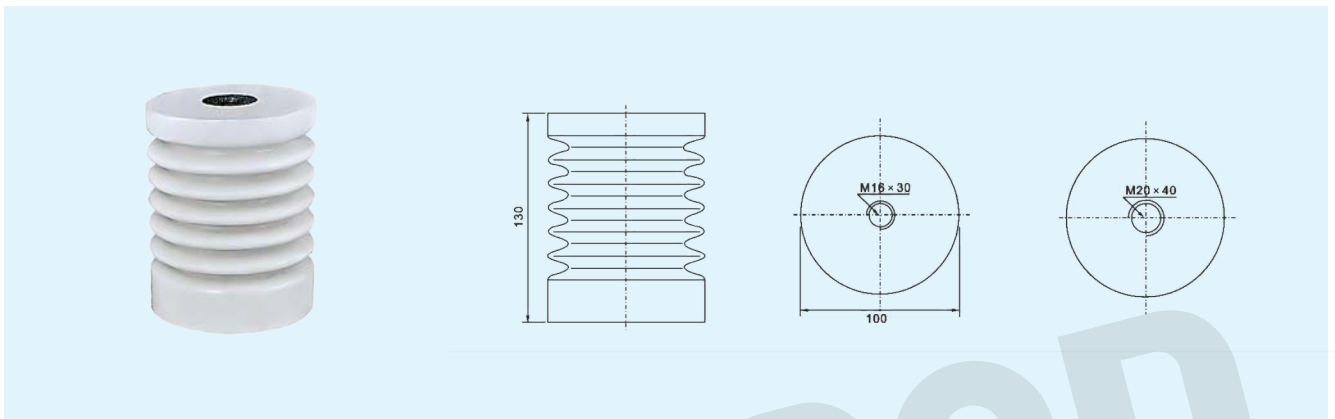


12KV INSULATOR SERIES

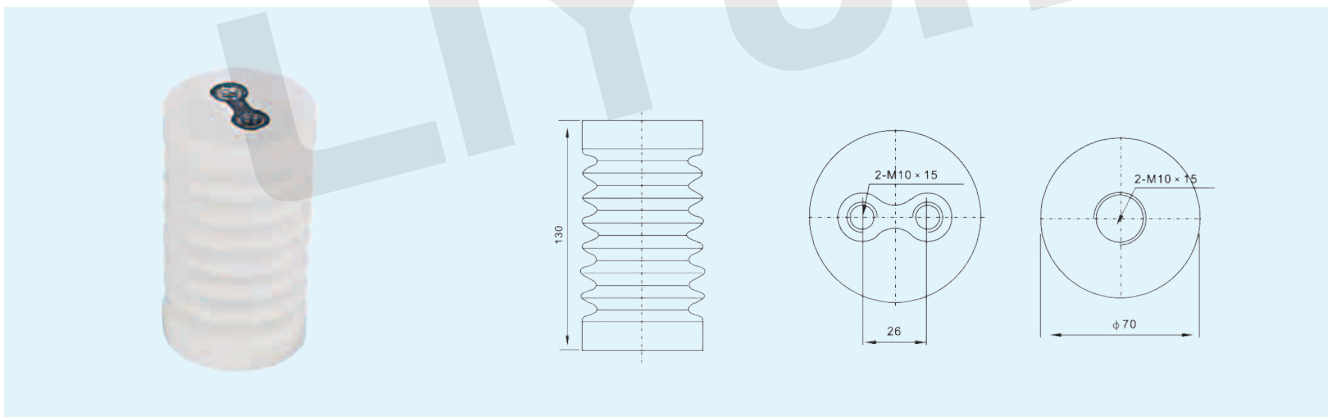
Model No.:LYC125
Name:ZJ-12/ φ 120x125 Insulator



Model No.: LYC126
Name:ZJ-12/ φ 100x130 Insulator



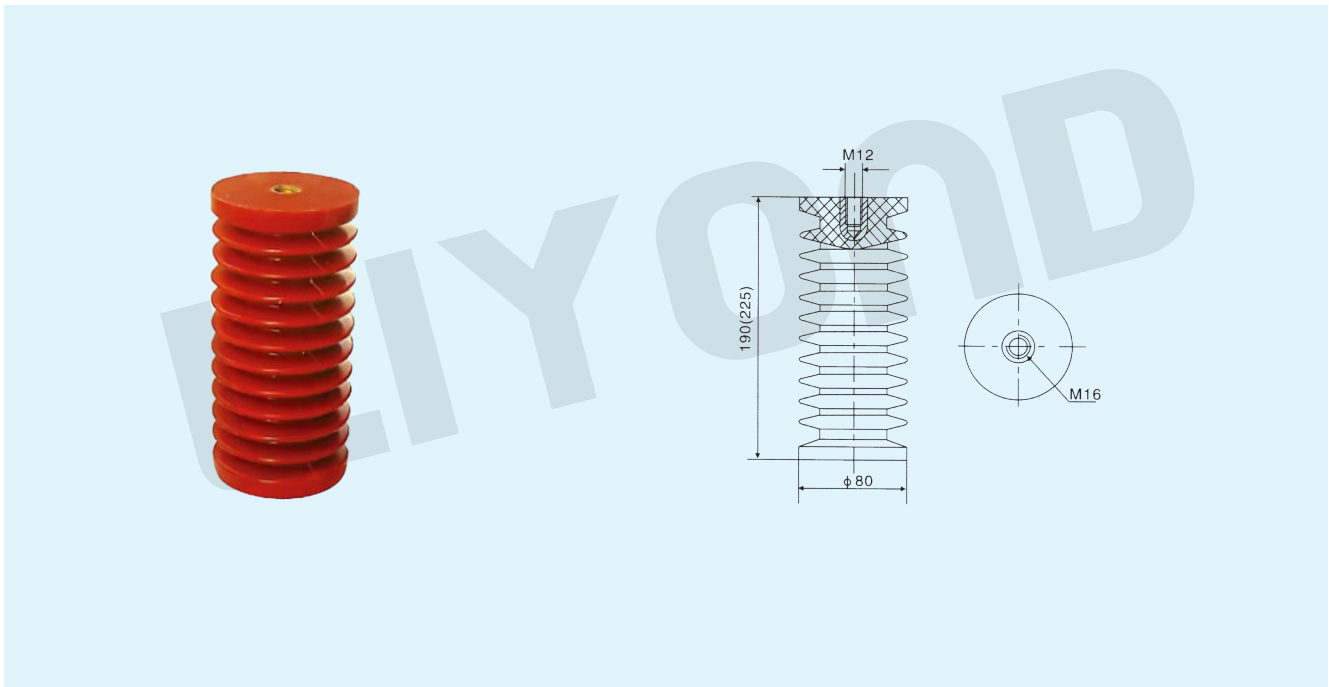
Model No.: LYC127
Name:ZJ-12/ φ 70x130 Insulator



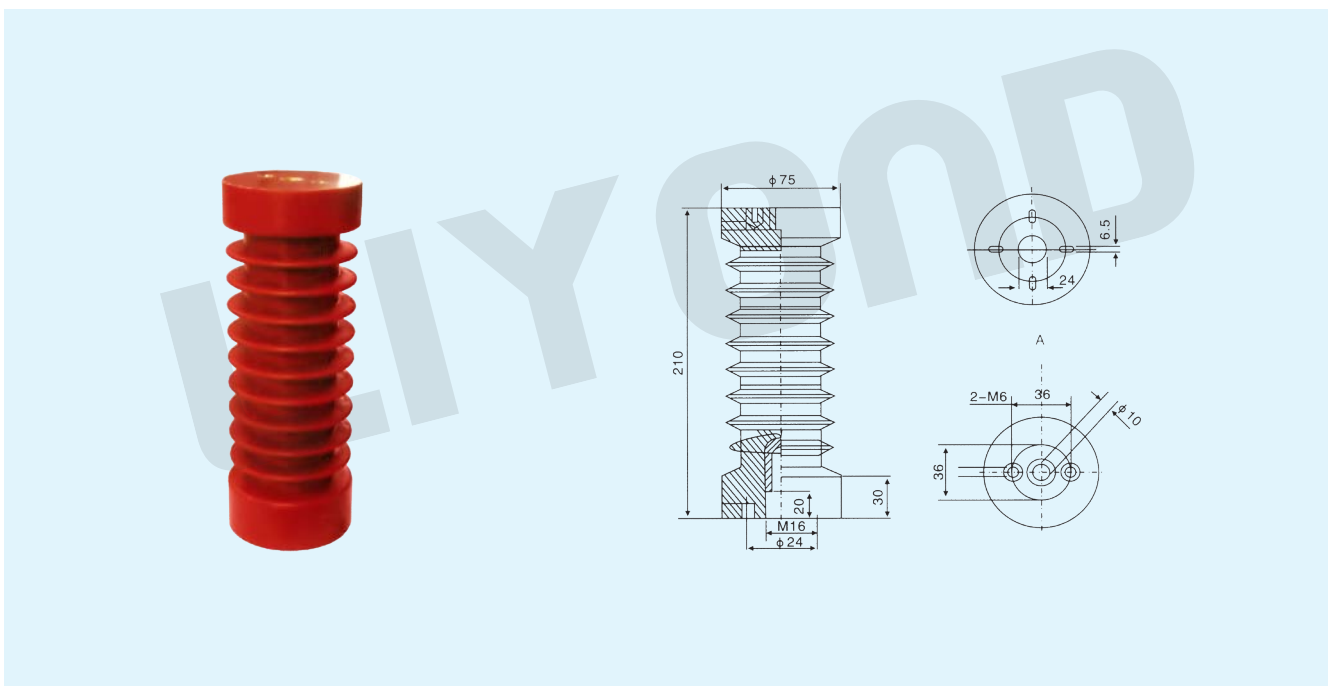


24KV INSULATOR SERIES

Model No.:LYC128
Name:ZJ-24/ ϕ 80x190(225) Insulator



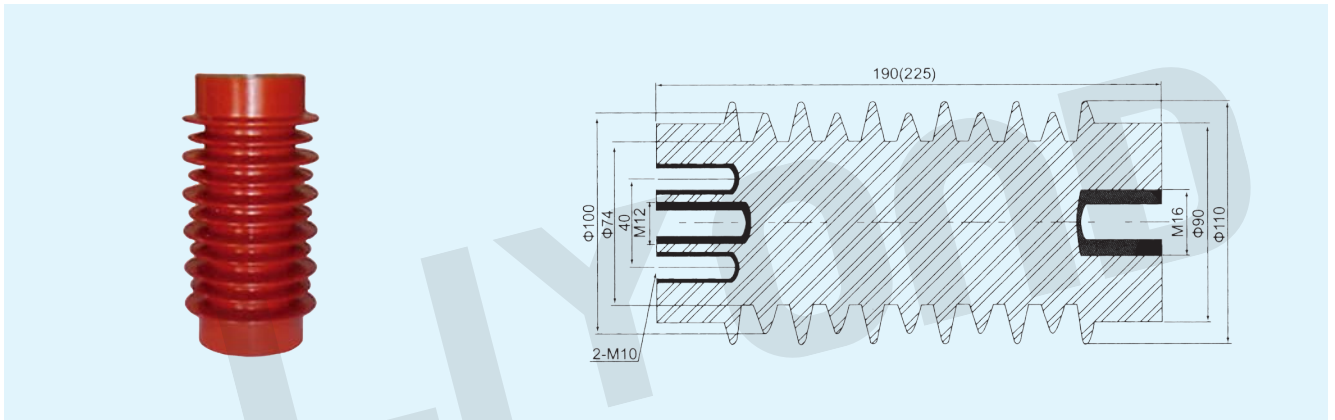
Model No.:LYC129
Name:ZJ-24/ ϕ 75x210 Insulator(Sensor)



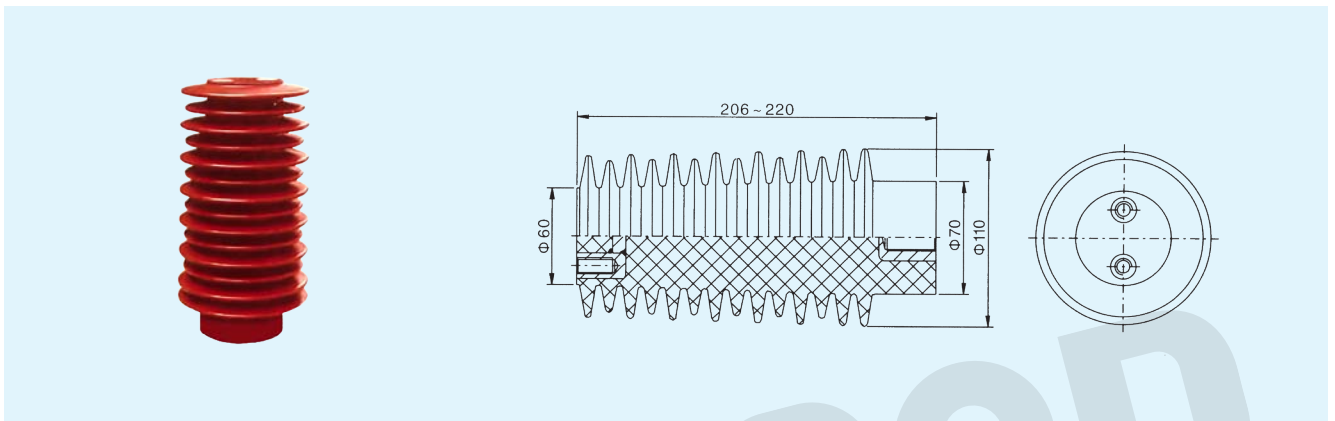


24KV INSULATOR SERIES

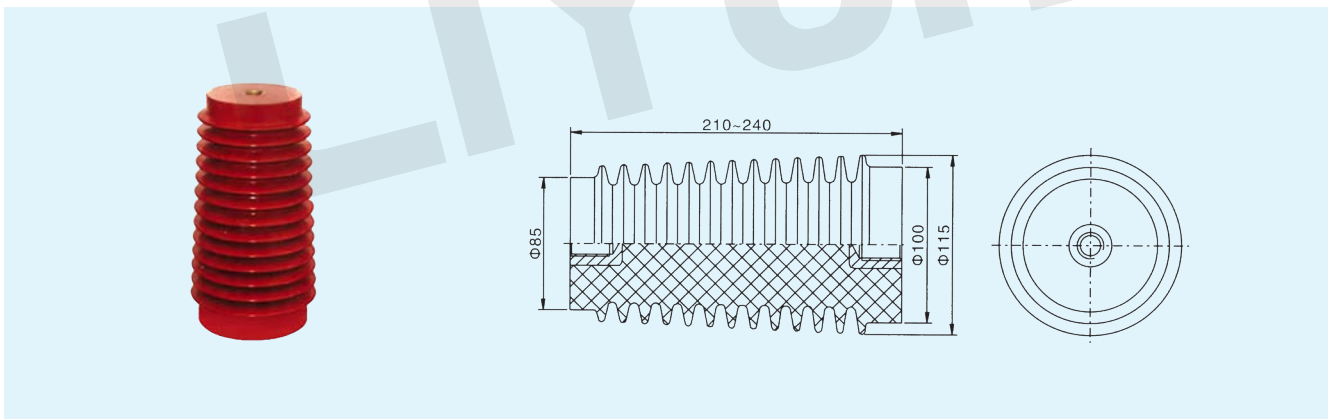
Model No.:LYC130
Name:ZJ-24/ ϕ 110x190 (225) Insulator



Model No.: LYC131
Name:ZJ-24/ ϕ 110x206-220 Insulator(Sensor)



Model No.:LYC132
Name:ZJ-24/ ϕ 115x210-240 Insulator(Sensor)





40.5KV INSULATOR SERIES

Model No.:LYC133
Name:ZJ-40.5/ φ 155x320~380 Insulator(Sensor)

Maximum diameter	Height	Power frequency withstand voltage	Partial discharge	Creepage distance	Bending strength
155	320 - 380	95kV/1min	10pC	985	15000N

Model No.:LYC134
Name:ZJ-40.5/ φ 175x320~380 Insulator

Maximum diameter	Height	Power frequency withstand voltage	Partial discharge	Creepage distance	Bending strength
175	320 - 380	95kV/1min	10pC	830	16000N

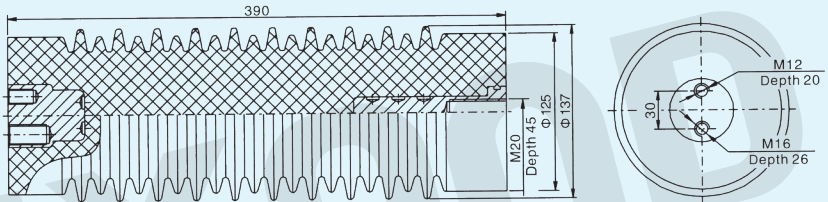
Model No.:LYC135
Name:ZJ-40.5/ φ 130x340~380 Insulator(Sensor)

Maximum diameter	Height	Power frequency withstand voltage	Partial discharge	Creepage distance	Bending strength
130	340 - 380	95kV/1min	10pC	935	13000N



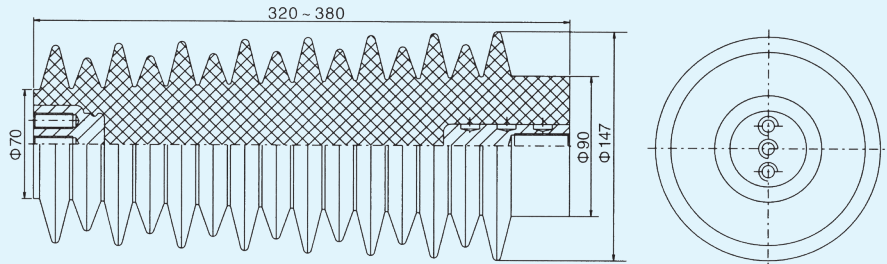
40.5KV INSULATOR SERIES

Model No.:LYC136
Name:ZJ-40.5/ ϕ 137x390 Insulator



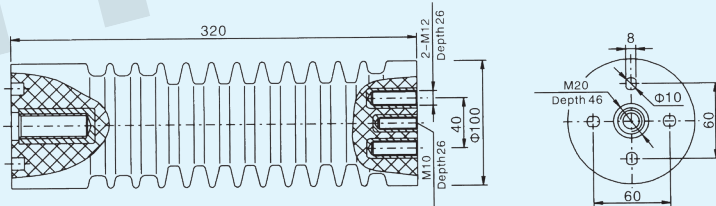
Maximum diameter	Height	Power frequency withstand voltage	Partial discharge	Creepage distance	Bending strength
137	390	95kV/1min	10pC	820	12000N

Model No.:LYC137
Name:ZJ-40.5/ ϕ 147x320-380 Insulator(Sensor)



Maximum diameter	Height	Power frequency withstand voltage	Partial discharge	Creepage distance	Bending strength
147	320 - 380	95kV/1min	10pC	880	13000N

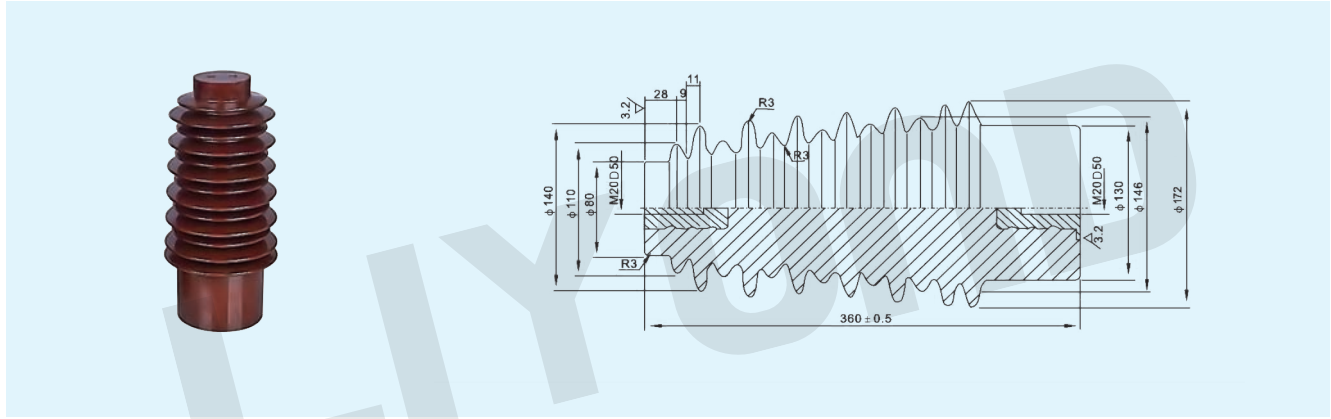
Model No.:LYC138
Name:ZJ-40.5/ ϕ 100x320 Insulator



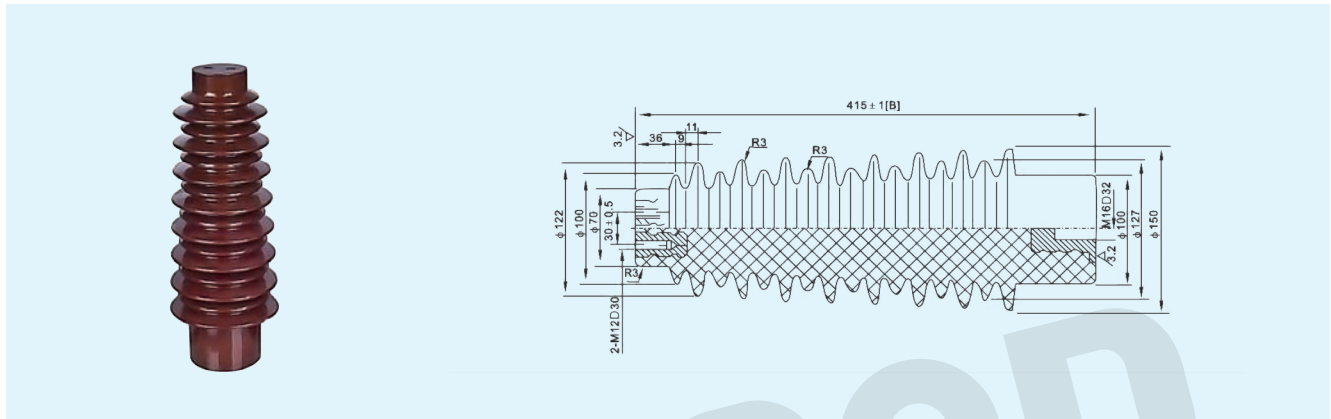


40.5KV INSULATOR SERIES

Model No.: LYC139
Name: ZJ-40.5/φ172x360 Insulator



Model No.: LYC140
Name: ZJ-40.5/φ150x415 Insulator



Model No.: LYC141
Name: ZJ-40.5/φ140x660 Insulator

