



CONTACT ARM SERIES

Model No.: LYB203-LYB207 Material: Copper & Aluminum or T2 Red Copper
630A Contact arm

Model No.	L1	L2
LYB203	158	102
LYB204	188	102
LYB205	256	No slot
LYB206	315	No slot
LYB207	321	No slot

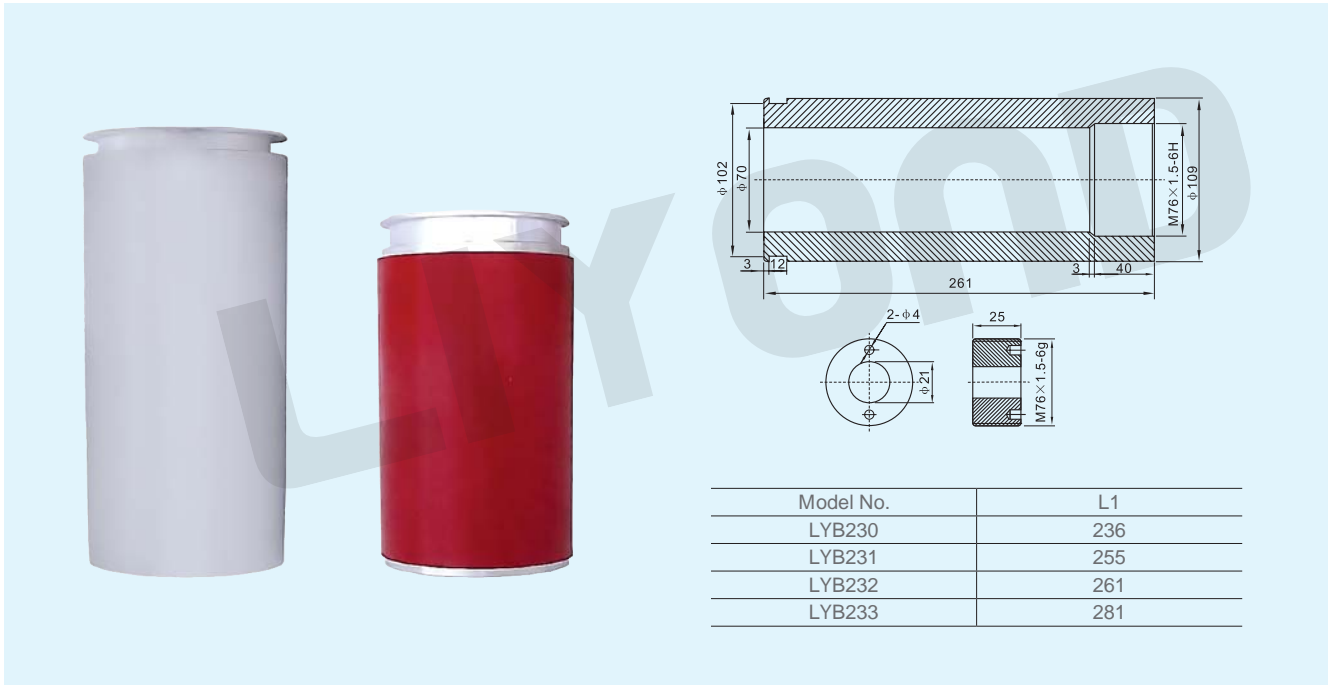
Model No.: LYB208-LYB211 Material: Copper & Aluminum or T2 Red Copper
630A Contact arm

Model No.	L1	L2
LYB208	158	102
LYB209	185	144
LYB210	205	148
LYB211	215	No slot

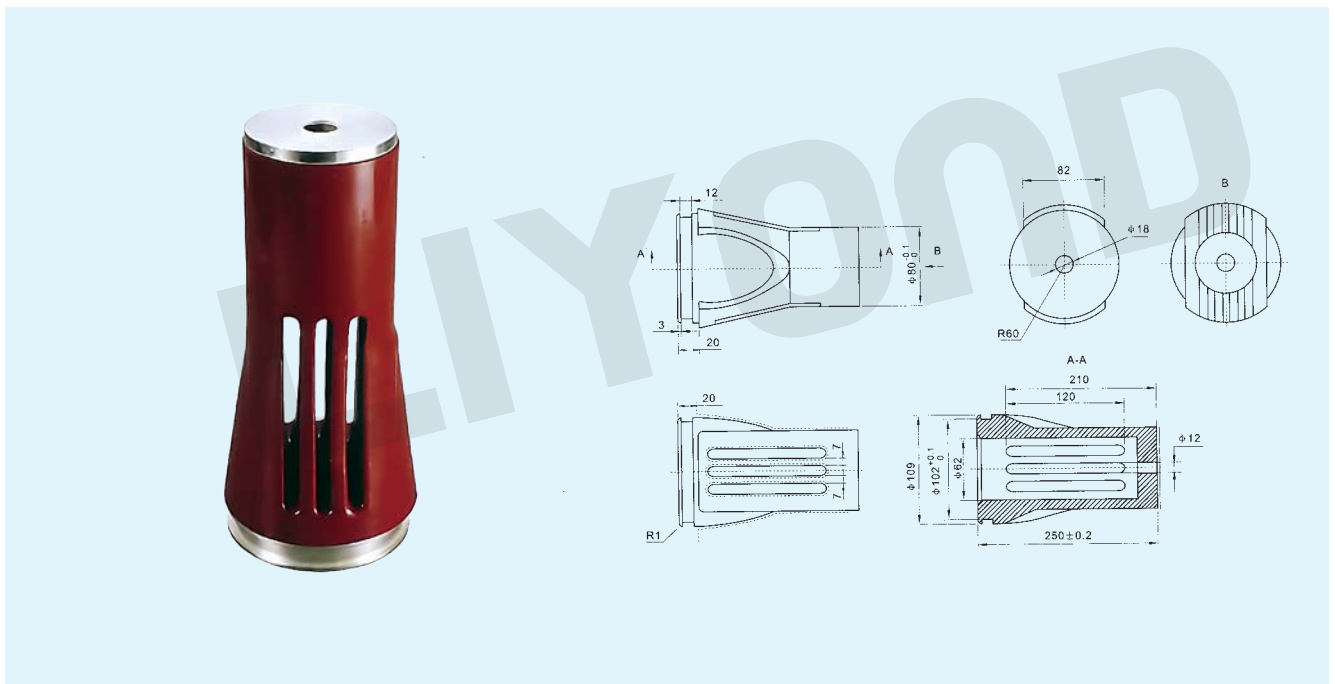


CONTACT ARM SERIES

Model No.: LYB230-LYB233 Material: T2 Red Copper
3150A Contact arm



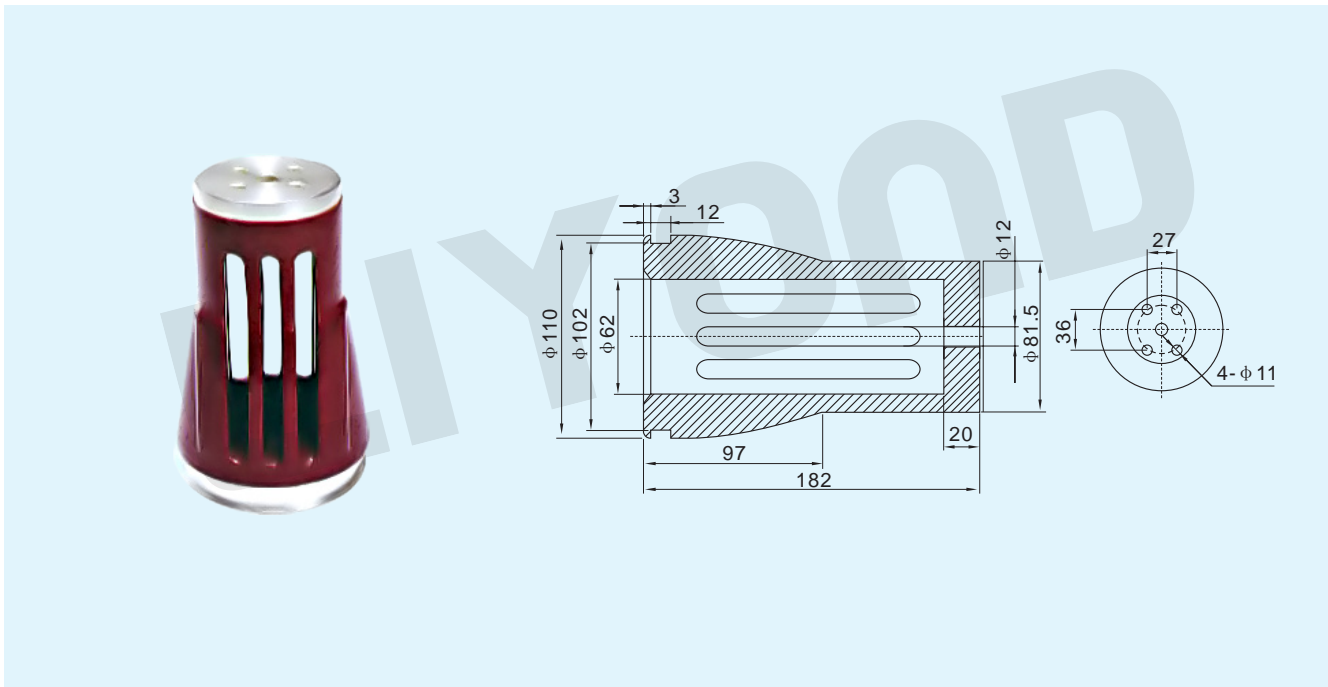
Model No.: LYB265 Material: T2 Red Copper(Sulfidizing)(Note:Lengthened contact arm,apply to large current isolated car)
VS1-3150A Contact arm



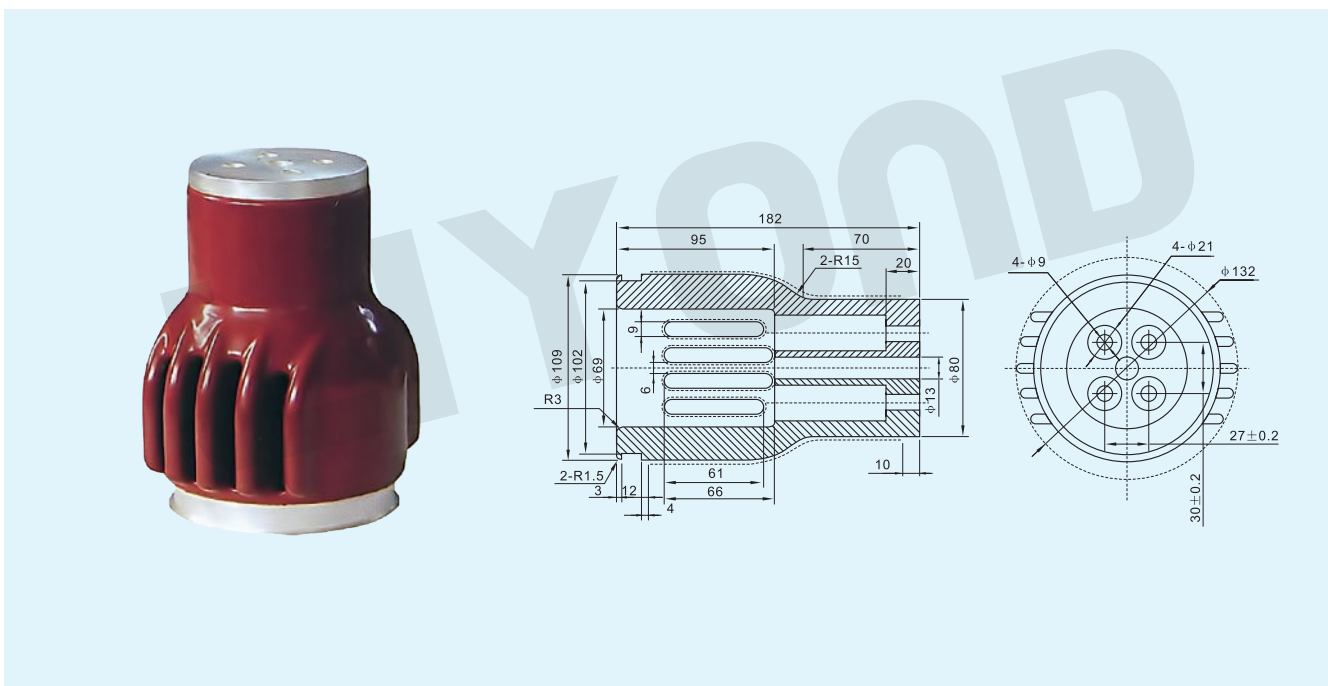


CONTACT ARM SERIES

Model No.: LYB259 Material: T2 Red Copper(Sulfidizing)
VS1-3150A Contact arm



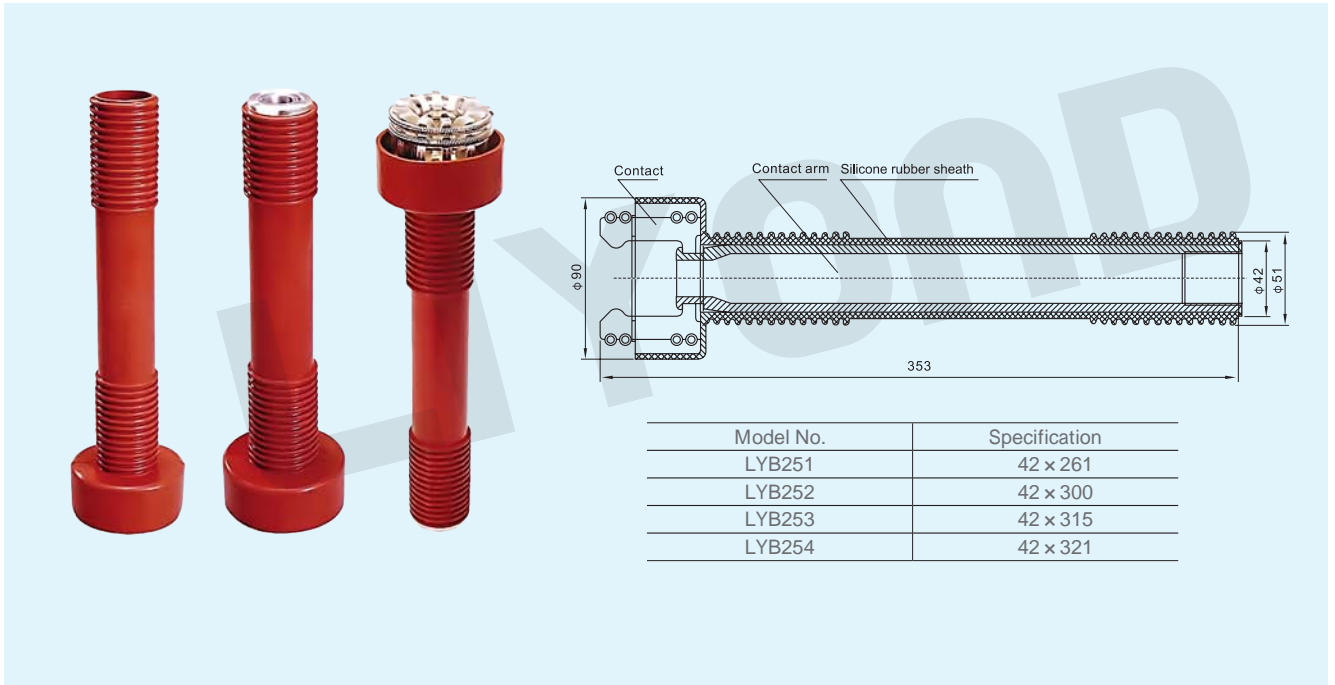
Model No.: LYB260 Material: T2 Red Copper(Sulfidizing)
VS1-4000A Contact arm



LIYOND

CONTACT ARM SERIES

Model No.: LYB251–LYB254 Material: T2 Red Copper(Patented silicone rubber)
630A Contact arm



Model No.: LYB255–LYB258 Material: T2 Red Copper(Patented silicone rubber)
1250A Contact arm

