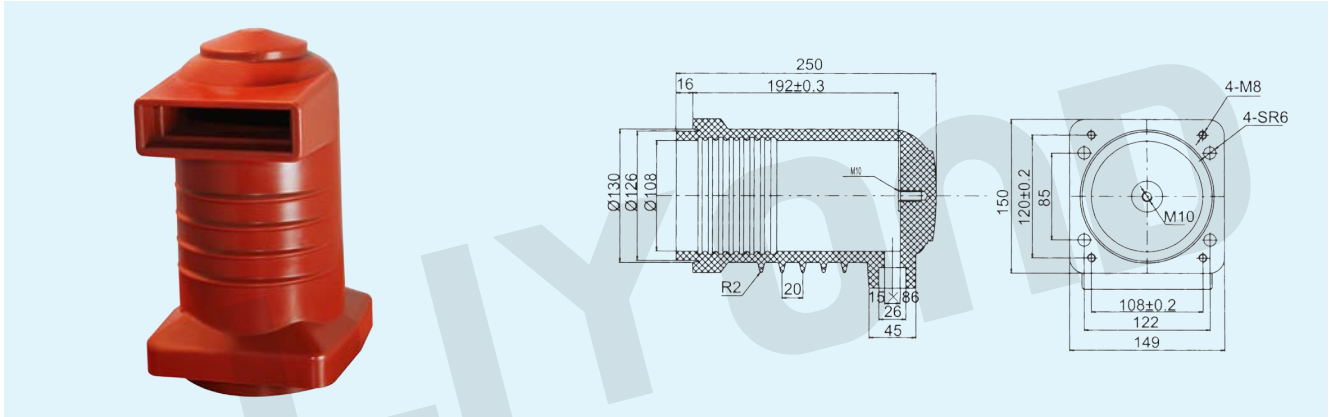


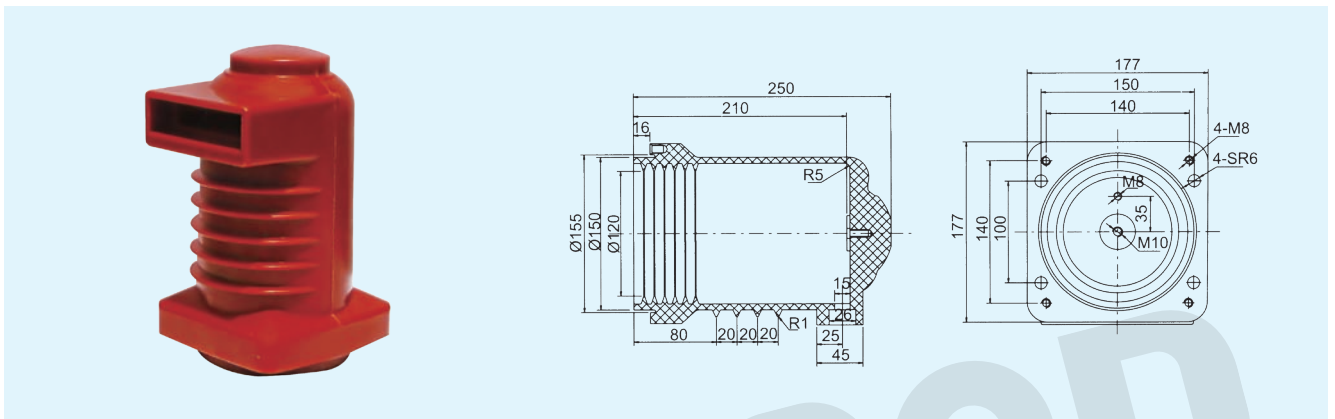


# 12KV CONTACT BOX SERIES

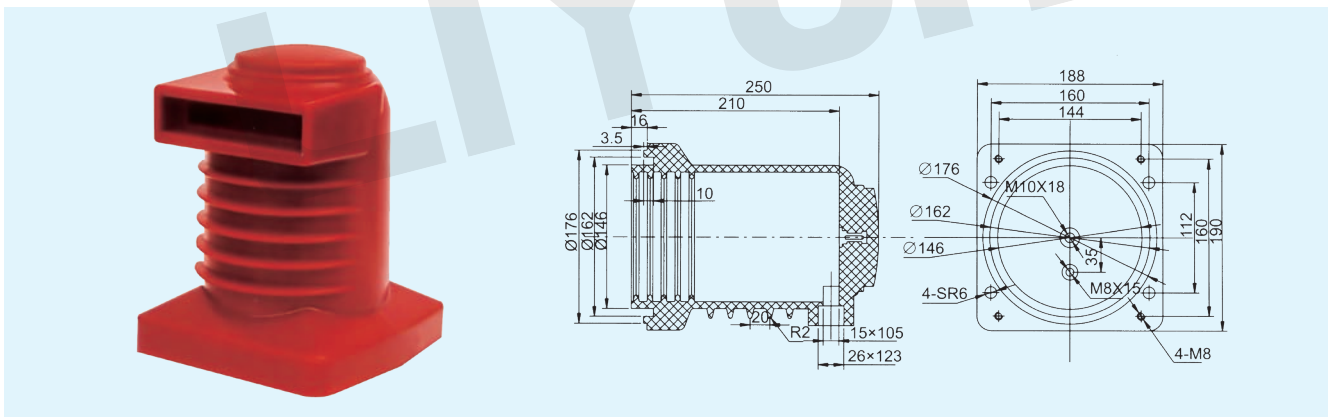
Model No.: LY101 Name: CH3-12/150 Contact box  
Rated current:630-1250A



Model No.: LY102 Name: CH3-12/180 Contact box  
Rated current:1250A



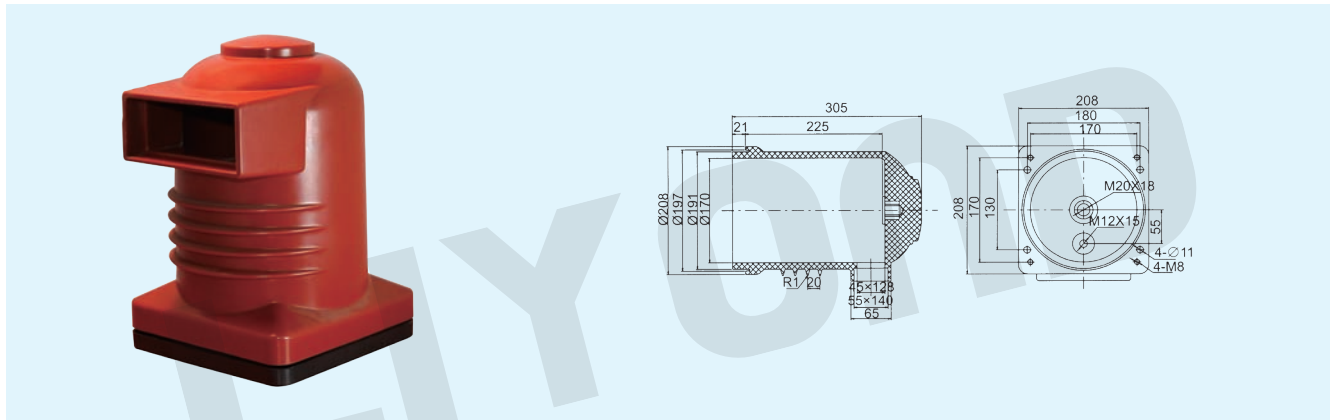
Model No.: LY103 Name: CH3-12/190 Contact box  
Rated current:1250-1600A



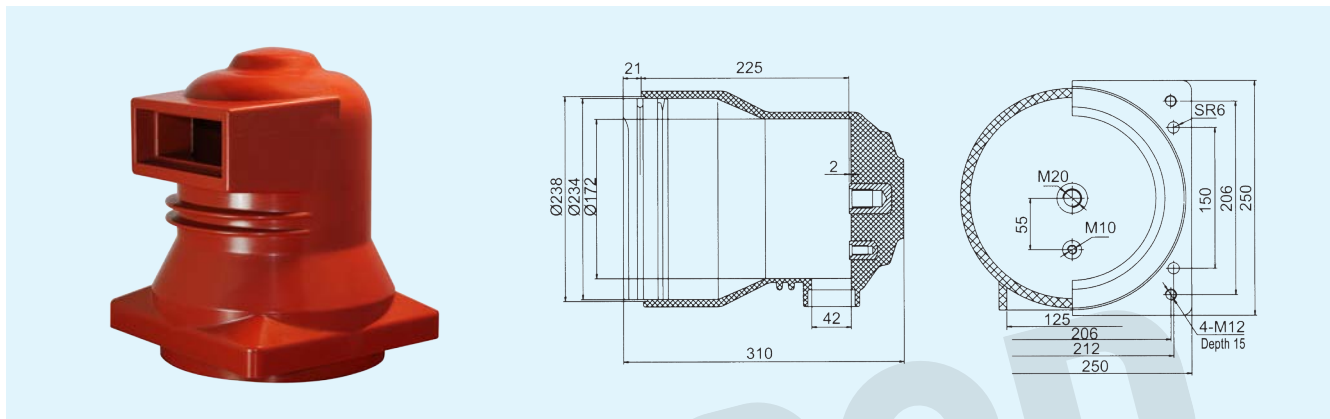


# 12KV CONTACT BOX SERIES

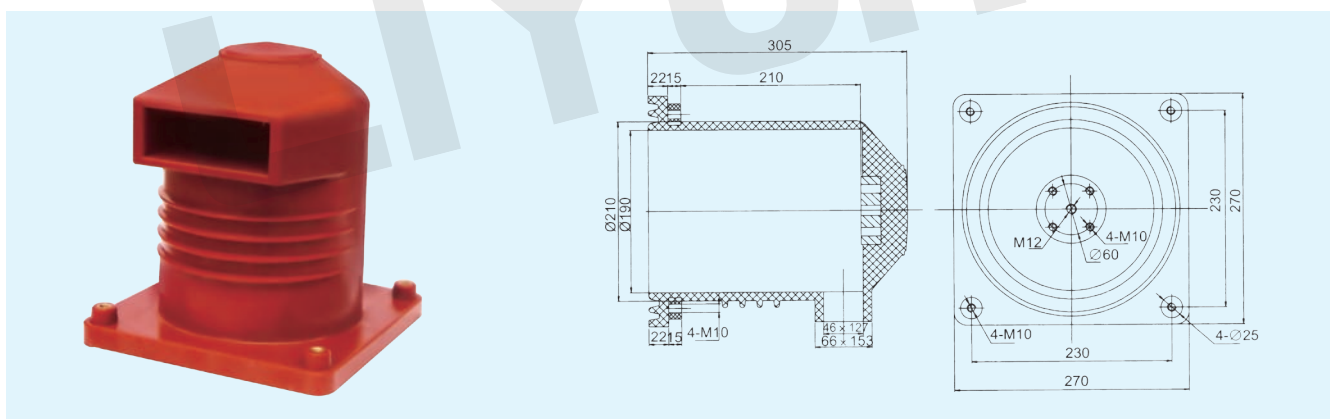
Model No.: LY104 Name: CH3-12/208 Contact box  
Rated current:1600-2000A



Model No.: LY105 Name: CH3-12/250 Contact box  
Rated current:3150-4000A



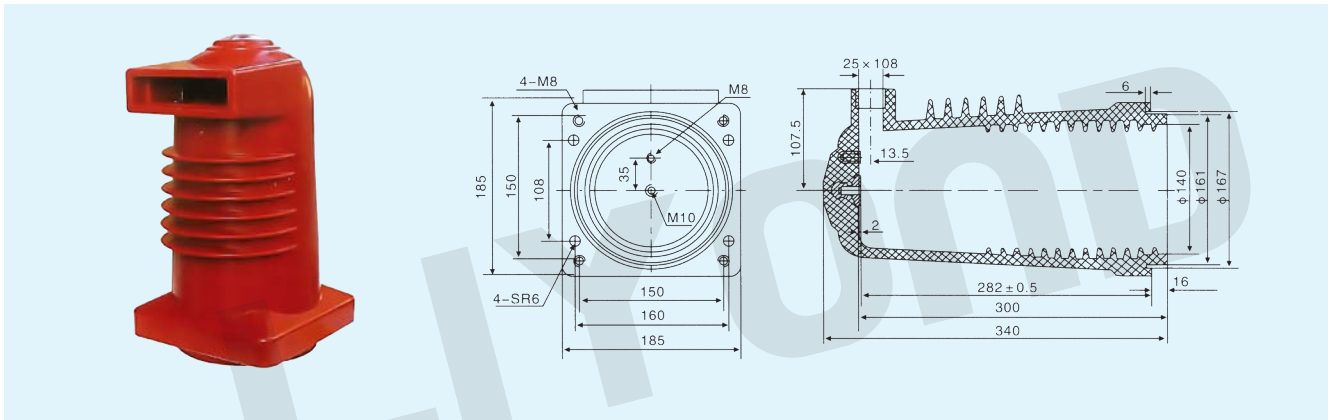
Model No.: LY106 Name: CH3-12/280 Contact box  
Rated current:3150-4000A



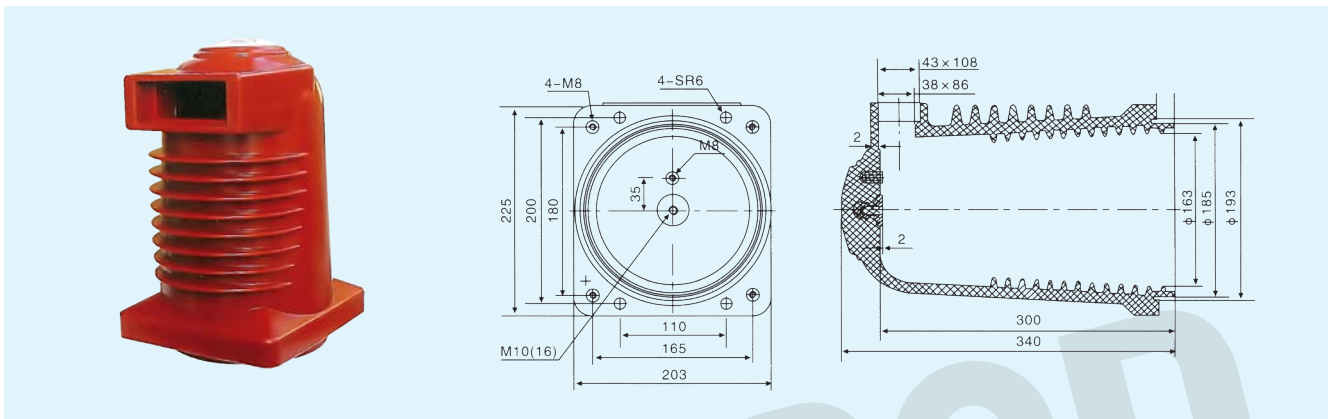
# LIYOND

## 24KV CONTACT BOX SERIES

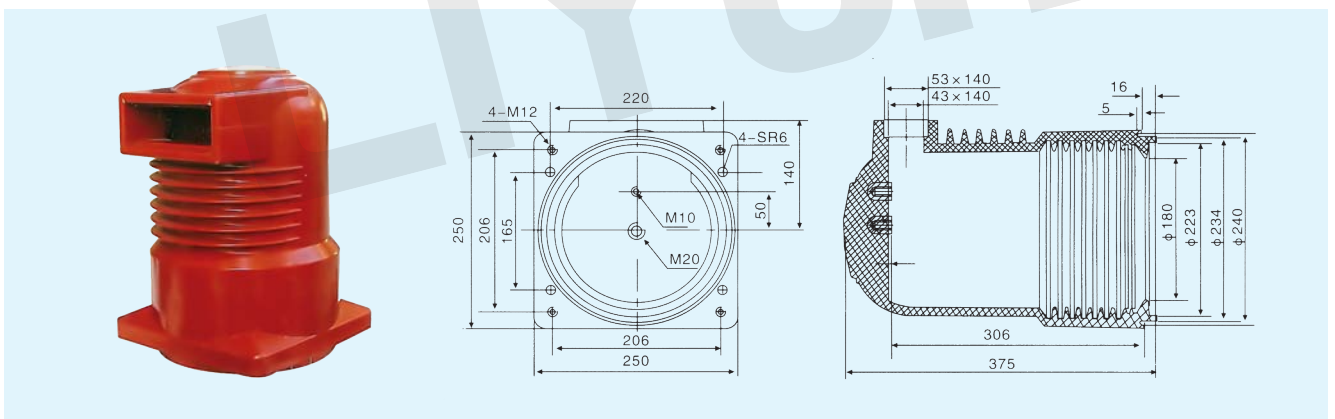
Model No.: LY107 Name: CH3-24/185 Contact box  
Rated current:  $\leq 630A$



Model No.: LY108 Name: CH3-24/225 Contact box  
Rated current:  $\leq 630-1600A$



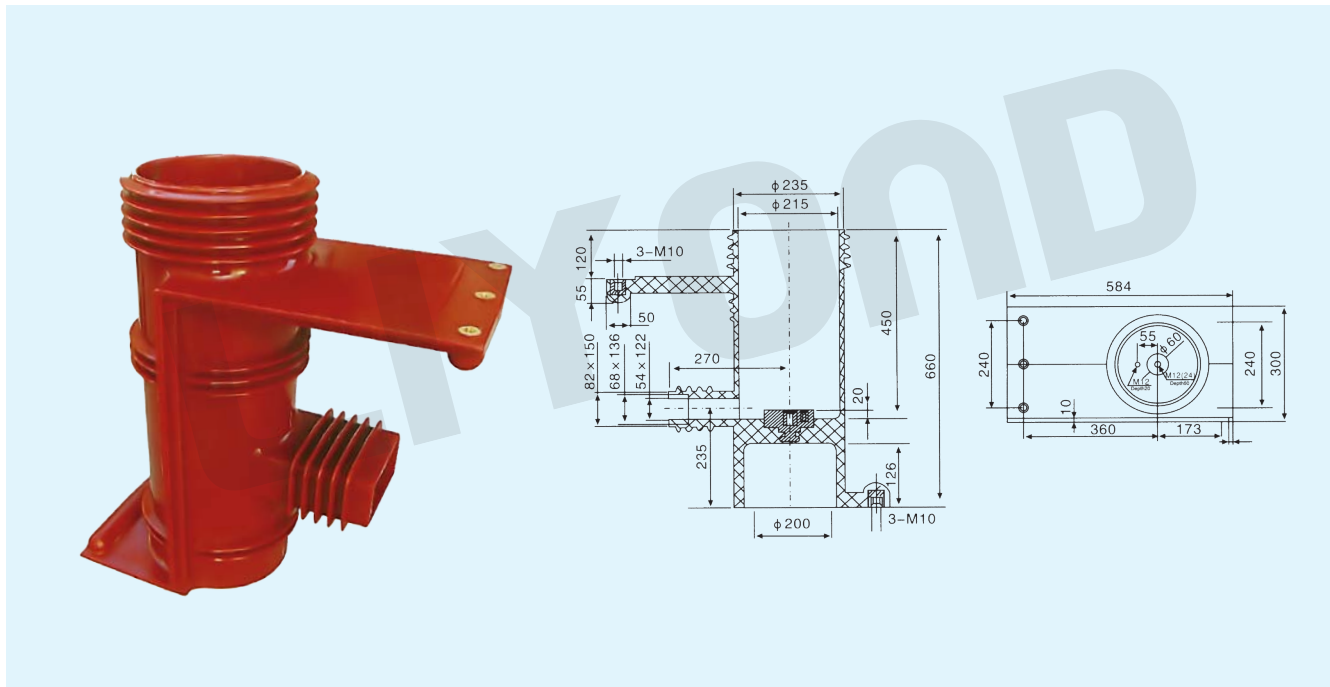
Model No.: LY109 Name: CH3-24/250 Contact box  
Rated current:  $\leq 2000-2500A$



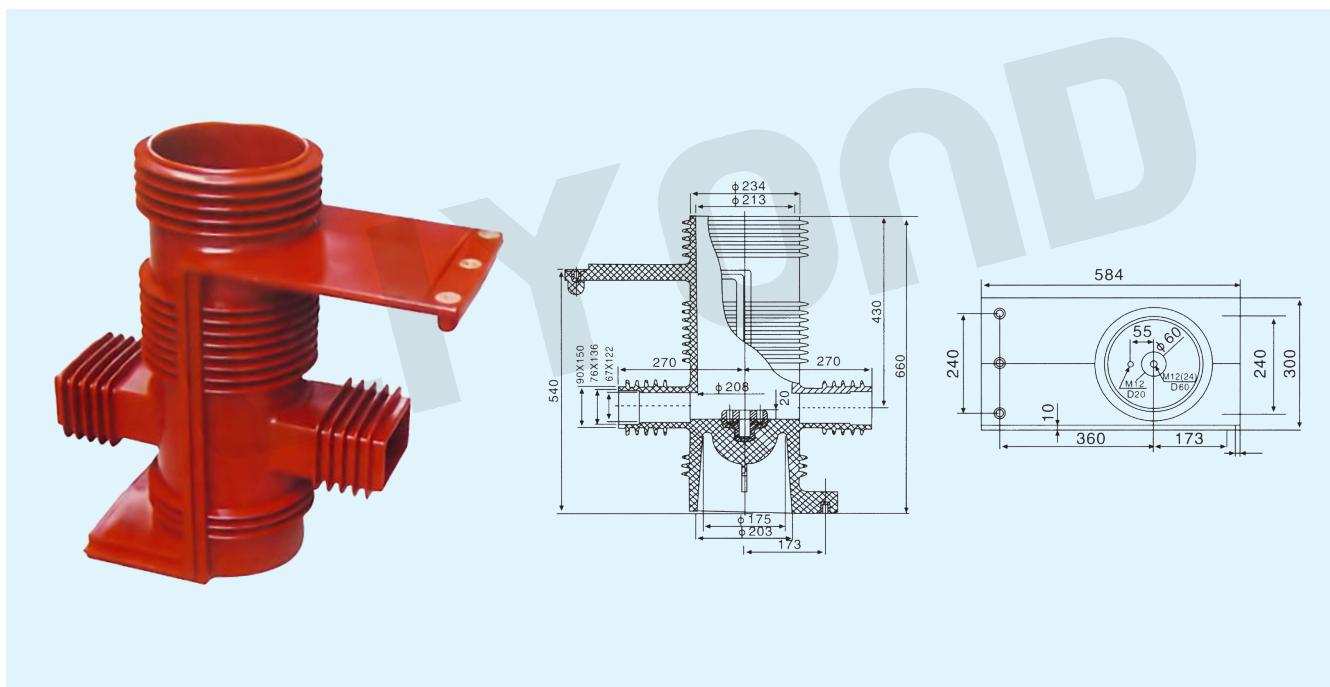


# 40.5KV CONTACT BOX SERIES

Model No.:LY110  
Name: CTH1-40.5kV Contact box (Shielded)



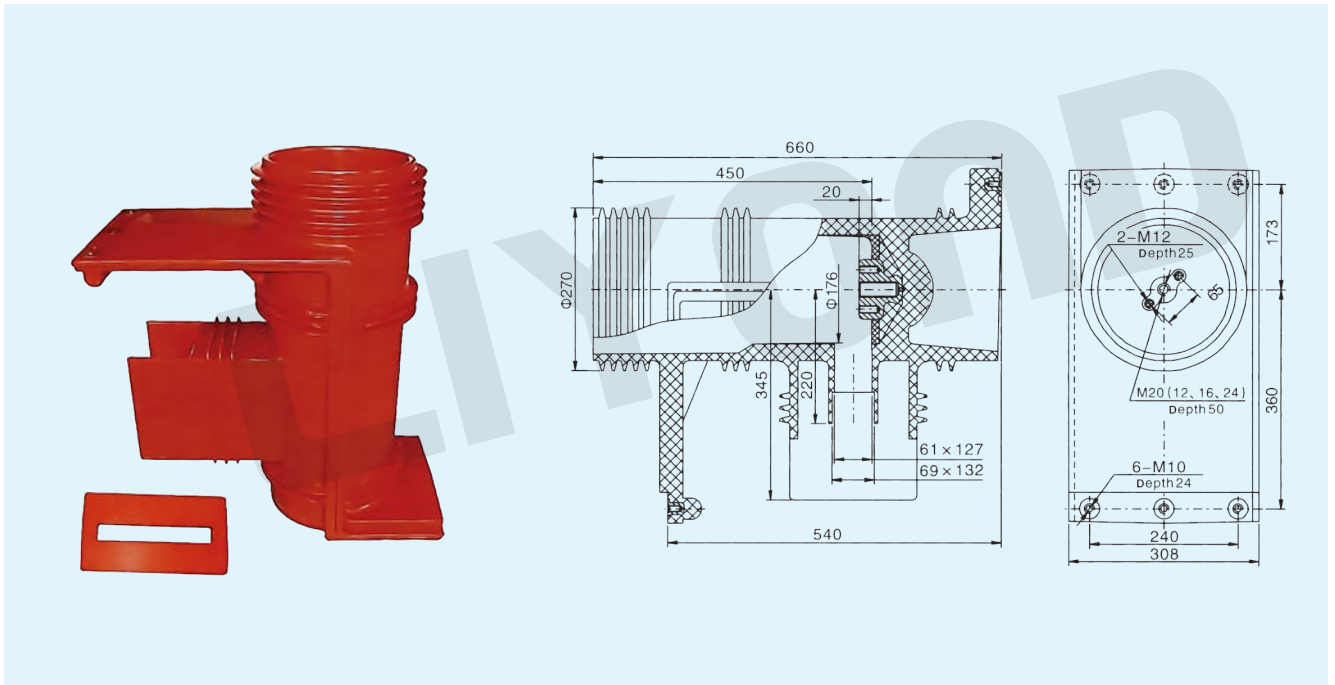
Model No.:LY111  
Name: CTH9-40.5kV Contact box (Shielded)



# LIYOND

## 40.5KV CONTACT BOX SERIES

Model No.:LY112  
Name:CTH12-40.5kV Contact box (Shielded)



Model No.:LY113  
Name:CTH11-40.5kV Contact box

